

# ESC LED Series

# LED Economy Surface Canopy



ESC LED Series

### SPECIFICATIONS

- Aluminum Housing
- Molded Polycarbonate Lens
- Bronze or White Powder Coat Finish
- CRI LED COB
- Universal Volt LED Driver 120-277V
- 4K or 5K LED Color Options
- Optional Dimming

### APPLICATIONS

- Garage Area Lighting
- Retail Centers, Industrial Parks, Airports
- Schools, Commercial Buildings, Universities

### ELECTRICAL

- 120-277V; 50/60Hz
- 45 Watts; 5,850 Lumens
- 65 Watts; 8,450 Lumens

### INSTALLATION

- Surface Mount over Recessed Box or Wall Mount (Conduit by Others)

### CERTIFICATIONS/LISTINGS

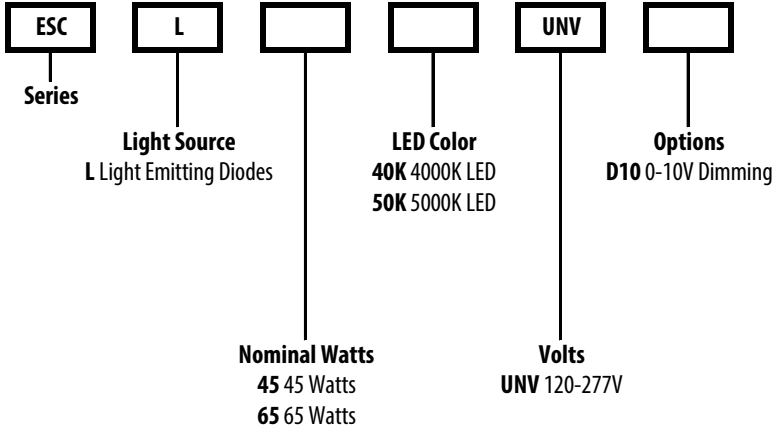
- UL Listed
- IP65
- Wet Location

PROJECT \_\_\_\_\_ TYPE \_\_\_\_\_

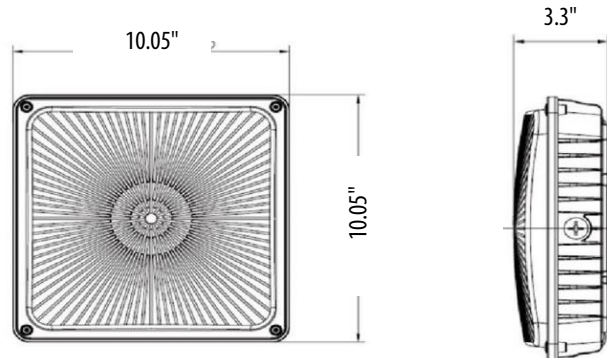
QTY \_\_\_\_\_ NOTES \_\_\_\_\_ APPROVAL \_\_\_\_\_

### ORDERING/SPECIFYING INFORMATION:

EXAMPLE: ESC L 45 40K UNV



### SPECIFICATIONS



### OPTIONS/ACCESSORIES



Specifications Subject to Change

