

DDL LED Series

LED Dusk to Dawn Light



DDL LED Series

SPECIFICATIONS

- Die Cast Aluminum Housing
- Polycarbonate Impact Resistant LED Prismatic Lens
- Gray Powder Coat Finish for Corrosion Protection
- CRI LED Aluminum Substrate Board
- Universal Volt LED Driver 120-277V
- 10KV Surge Protection Included
- 0-10V Dimming Standard
- 120-277V Twist Lock Photocell Included

APPLICATIONS

- General Area Lighting
- Industrial Yards, Storage Sheds, Entryways
- Farms, Alleys, Security Areas

ELECTRICAL

- UNV 120-277V
- 50 Watts; 5,000 Lumens
- 79 Watts; 9,500 Lumens
- 122 Watts; 14,000 Lumens

INSTALLATION

- Slip Fitter Mounting accepts 1 1/4" to 2 3/8" OD Tenon, Arm Not Included, Optional

CERTIFICATIONS/LISTINGS

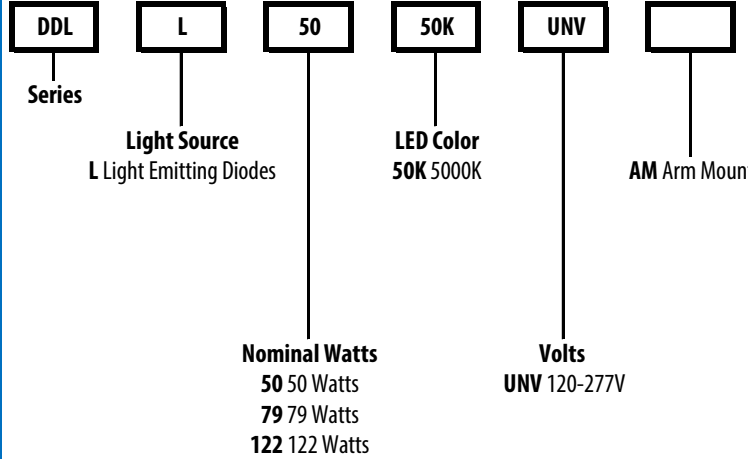
- UL Listed
- IP65
- Listed for Wet Locations

PROJECT _____ TYPE _____

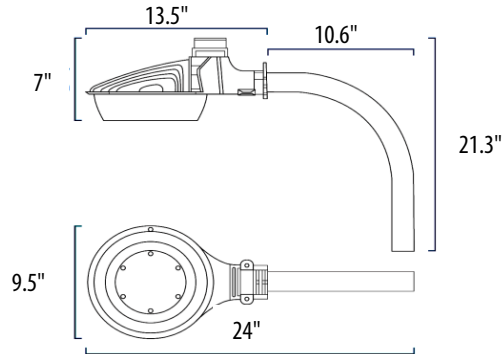
QTY _____ NOTES _____ APPROVAL _____

ORDERING/SPECIFYING INFORMATION:

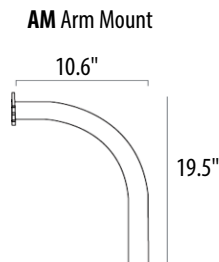
EXAMPLE: DDL L 50 50K UNV AM



SPECIFICATIONS



OPTIONS/ACCESSORIES



Specifications Subject to Change

