

SS1 Series

Staggered Strip 1-Light



SS1 Series

SPECIFICATIONS

- Heavy Gauge Cold Rolled Steel Housing
- White Polyester Polymer Finish
- Highly Efficient Fixture
- Minimum 82% Reflectivity
- T8 Lamp Fluorescent
- LED T8 (BC) Ballast Capitable or (BP) By-Pass
- Available in 24", 36" & 48"
- Units Equipped with Knockouts and Holes for Pendant Mounting (Conduit by Others)
- Designed for Mounting in Continuous Rows, for Cove Lighting Applications
- Optional Lamped
- Optional Tandem

APPLICATIONS

- General Area Lighting
- Schools, General Commercial, Retail, Hospitals
- Office Buildings, Libraries, Restaurants, Lobbies
- Warehouses, Industrial, Storage Areas

ELECTRICAL

- 120-277V; 50/60Hz

INSTALLATION

- Surface, Chain or Pendant Mount (Conduit by Others)
- Mounts in Continuous Rows for Cove Lighting

CERTIFICATIONS/LISTINGS

- UL Listed
- Listed for Damp Locations

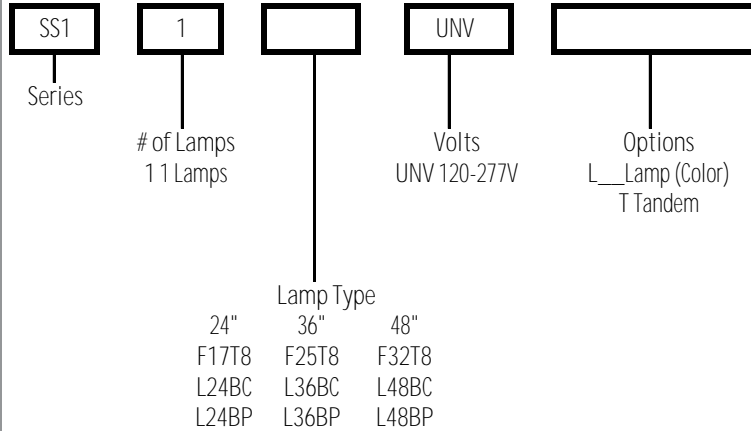
MEMPHIS
LIGHTING

PROJECT _____ TYPE _____

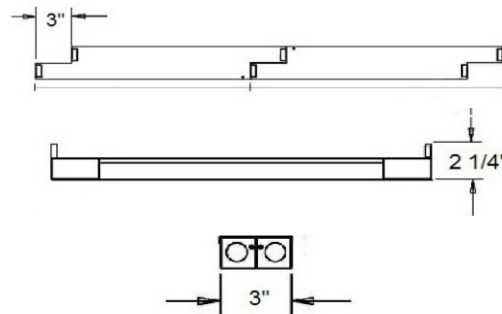
QTY _____ NOTES _____ APPROVAL _____

ORDERING/SPECIFYING INFORMATION:

EXAMPLE: SS2 1 F25T8 UNV



SPECIFICATIONS



OPTIONS/ACCESSORIES

Specifications Subject to Change

