



SAX LED Series

SPECIFICATIONS

- Die Cast Aluminum Housing
- Heat Resistant Polycarbonate Lens
- Bronze Powder Coat Finish, Optional Custom Color
- Modular LED Bars
- Universal Volt LED Driver 120-277V, Optional 480V
- 4K or 5K LED Color Options
- Type III or Type V Light Distribution
- Multiple Mounting Options
- Stainless Steel Hardware
- Optional Dimming

APPLICATIONS

- General Area Lighting
- Parking, Roadway, Auto Dealerships, Signs
- Industrial Parks, Public Transportation, Airports
- Office Buildings, Medical Facilities, Communities

ELECTRICAL

- 120-277V; 50/60Hz
- Optional 480V; 50/60Hz
- 450 Watt; 56,250 Lumens

INSTALLATION

- Mounts with Arm Mount, Slip Fitter or Wall Mount

CERTIFICATIONS/LISTINGS

- UL Listed
- IP65
- Listed for Wet Locations

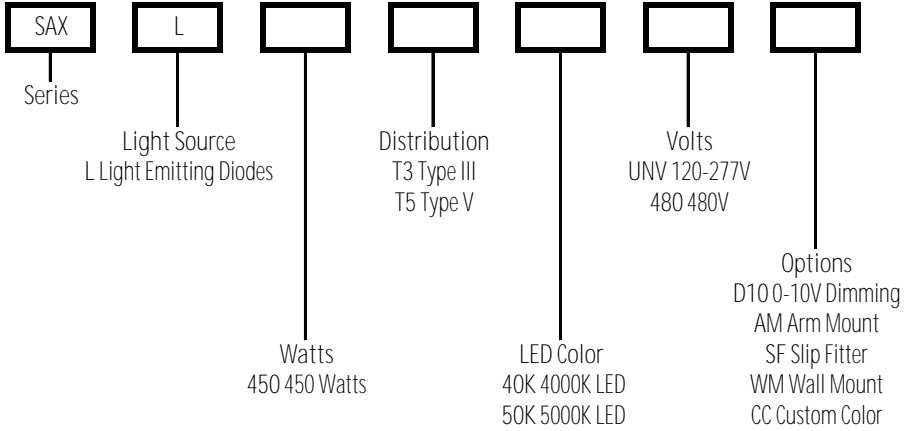


PROJECT _____ TYPE _____

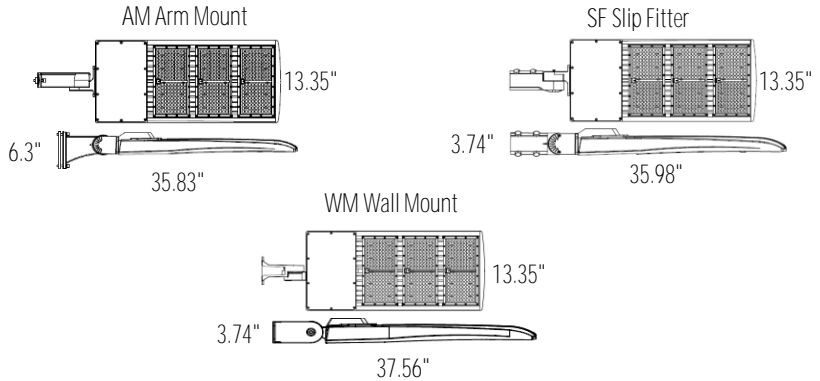
QTY _____ NOTES _____ APPROVAL _____

ORDERING/SPECIFYING INFORMATION:

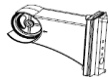
EXAMPLE: SAX L 450 T3 40K UNV



SPECIFICATIONS



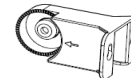
OPTIONS/ACCESSORIES



AM Arm Mount



SF Slip Fitter



WM Wall Mount

Specifications Subject to Change

