



AAL LED Series

SPECIFICATIONS

- Die Cast Aluminum Housing
- Bronze Powder Coat Finish
- Vandal Resistant Polycarbonate Lens
- CRI LED Aluminum Substrate Board
- Universal Volt LED Driver 120-277V, Optional 480V
- 30K, 35K, 40K & 50K LED Color Options
- Choice of Various Optics
- Integral 10kA Surge Protection
- Integral 0-10V DC Dimming
- 7 Pin Photocell Receptacle for Control

APPLICATIONS

- General Area Lighting
- Walkways, Parking, Roadway, Area
- Schools, Commercial Buildings, Communities
- Street Lighting, Car Lots, Campuses

ELECTRICAL

- 120-277V; 50/60Hz
- Optional 480V; 50/60Hz

INSTALLATION

- Mounts with Adjustable Slip Fitter (ASF), to Round Pole (RPA), Square Pole (SPA), Wall (WMP) or to Horizontal Tenon (HTM)

CERTIFICATIONS/LISTINGS

- UL Listed
- Listed for Wet Locations

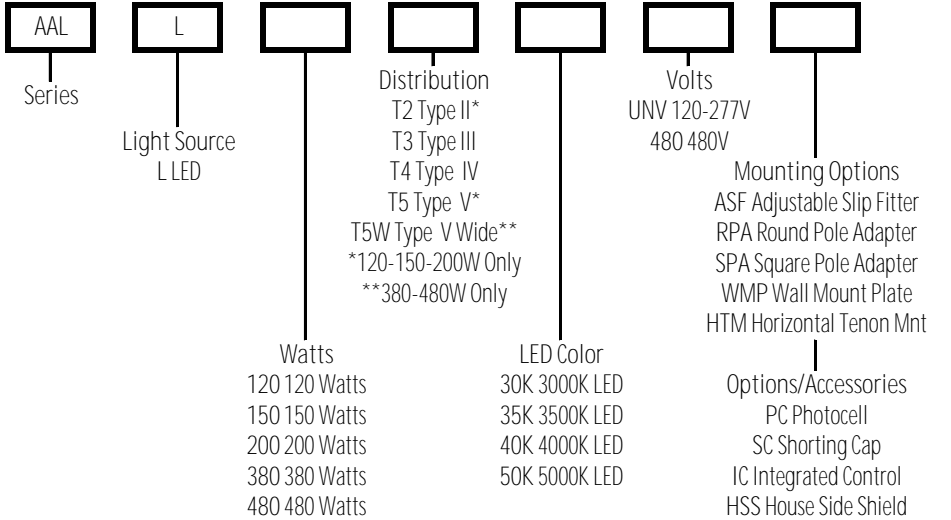


PROJECT _____ TYPE _____

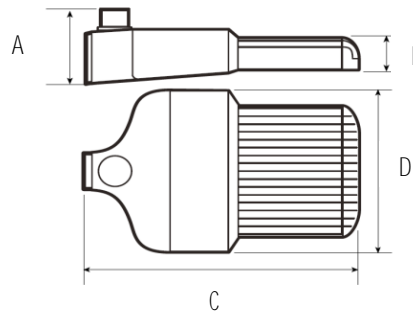
QTY _____ NOTES _____ APPROVAL _____

ORDERING/SPECIFYING INFORMATION:

EXAMPLE: AAL L 120 T3 50K UNV SPA



SPECIFICATIONS



Series	A	B	C	D	EPA	Weight	Lumen
120W	6.01"	2.13"	17.50"	10.25"	0.85	15	13,500
150W	6.01"	2.13"	19.50"	10.25"	0.90	17	18,250
200W	6.01"	2.13"	23.63"	10.25"	1.10	19	25,690
380W	7.50"	3.70"	34.33"	14.17"	1.65	22	43,250
480W	7.50"	3.70"	37.16"	14.17"	1.75	25	55,000

MOUNTING OPTIONS



OPTIONS/ACCESSORIES



Specifications Subject to Change