

S1000ML5AC5M

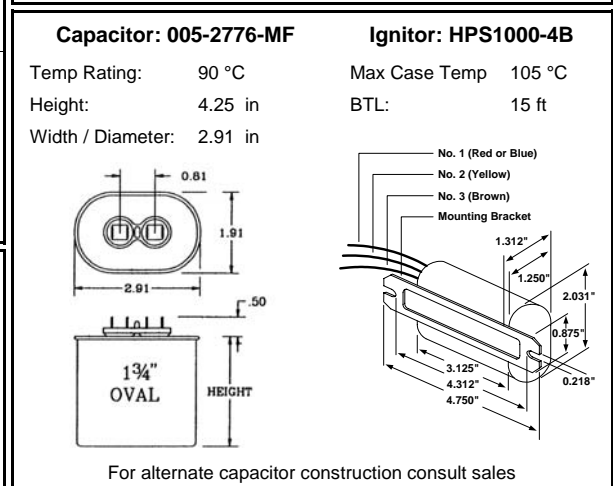
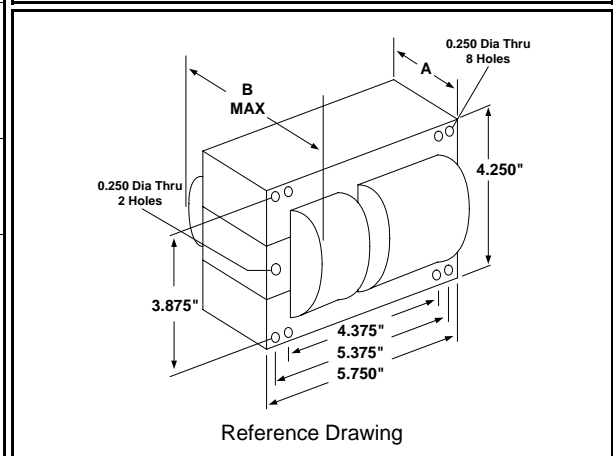
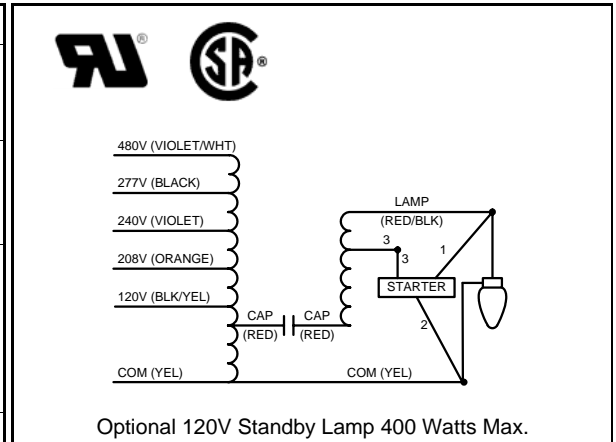
1000W S52

High Pressure Sodium

60Hz CWA

Specification Sheet

| | | | | | |
|-------------------------------------|--------------|-------------|-------------|-------------|-------------|
| Input Volts | 120 | 208 | 240 | 277 | 480 |
| Regulation | | | | | |
| Line Volts | ±10% | ±10% | ±10% | ±10% | ±10% |
| Lamp Watts | ±10% | ±10% | ±10% | ±10% | ±10% |
| Power Factor (min) | 90% | 90% | 90% | 90% | 90% |
| Input Watts | 1100 W | 1100 W | 1100 W | 1100 W | 1100 W |
| NOM. Open Circuit Voltage | 440 V | 440 V | 440 V | 440 V | 440 V |
| Line Current (Amps) | | | | | |
| Operating | 9.45 | 5.45 | 4.75 | 4.10 | 2.35 |
| Open Circuit | 4.85 | 2.80 | 2.40 | 2.10 | 1.20 |
| Starting | 6.90 | 4.00 | 3.45 | 3.00 | 1.75 |
| Recommended Fuse (Amps) | 20 | 15 | 10 | 10 | 8 |
| Lamp Dropout Voltage (Line) | 90 V | 160 V | 185 V | 210 V | 350 V |
| UL Temperature Ratings | | | | | |
| Insulation Class | H (180°C) | H (180°C) | H (180°C) | H (180°C) | H (180°C) |
| Temperature Code | D | D | D | D | D |
| MIN. Starting Temperature | -40°F -40°C | -40°F -40°C | -40°F -40°C | -40°F -40°C | -40°F -40°C |
| CAPACITOR Specifications | | | | | |
| Microfarads | 26 uf | 26 uf | 26 uf | 26 uf | 26 uf |
| Volts (min.) | 525 V | 525 V | 525 V | 525 V | 525 V |
| 60Hz Test Procedures | | | | | |
| High Potential Test 1 Minute | 2000 V | 2000 V | 2000 V | 2000 V | 2000 V |
| High Potential Test 1 Second | 2500 V | 2500 V | 2500 V | 2500 V | 2500 V |
| Secondary Open Ckt Voltage (V) | 395 - 485 | 395 - 485 | 395 - 485 | 395 - 485 | 395 - 485 |
| Secondary Current Shorted (A) | 6.30 - 7.80 | 6.30 - 7.80 | 6.30 - 7.80 | 6.30 - 7.80 | 6.30 - 7.80 |
| Input Operating Current (A) | 8.45 - 10.40 | 4.90 - 6.00 | 4.25 - 5.25 | 3.65 - 4.50 | 2.10 - 2.60 |
| Input Open Circuit Current (A) | 2.40 - 7.05 | 1.35 - 4.05 | 1.20 - 3.55 | 1.00 - 3.05 | 0.60 - 1.80 |
| Input Short Circuit Current (A) | 5.00 - 7.60 | 2.90 - 4.40 | 2.50 - 3.80 | 2.20 - 3.35 | 1.25 - 1.90 |
| Core and Coil Specifications | | | | | |
| Dimension A | 3.75 in | 3.75 in | 3.75 in | 3.75 in | 3.75 in |
| Dimension B | 5.65 in | 5.65 in | 5.65 in | 5.65 in | 5.65 in |
| Weight | 26.0 lbs | 26.0 lbs | 26.0 lbs | 26.0 lbs | 26.0 lbs |
| Lead Lengths (inches) | 12-14 | 12-14 | 12-14 | 12-14 | 12-14 |
| Coil Material (Pri. / Sec.): | Cu / Cu | Cu / Cu | Cu / Cu | Cu / Cu | Cu / Cu |



| | |
|---------------------|-------------|
| Document #: | 010-9751-04 |
| Date: | 9/11/2012 |
| Status: | Production |
| Replaces Catalog #: | New Design |

Data is based upon tests performed by Universal Lighting Technologies in a controlled environment and is representative of relative performance. Actual performance may vary depending on operating conditions. Specifications are subject to change without notice.

Universal Lighting Technologies

26 Century Blvd. Suite 500 - Nashville, TN 37214

Phone 1-800-225-5278 Fax 1-800-206-0035

www.unvlt.com