

# M175MLTAC3M

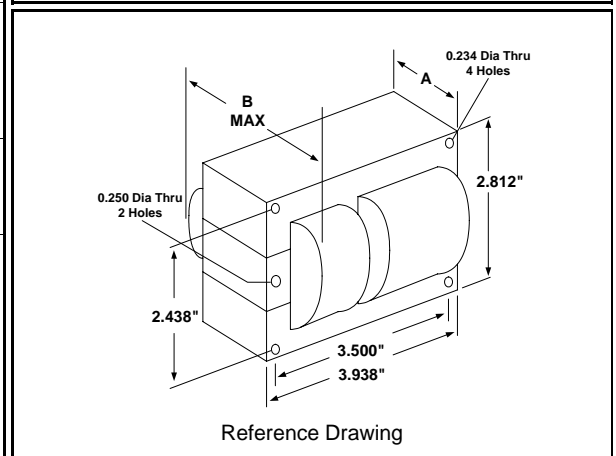
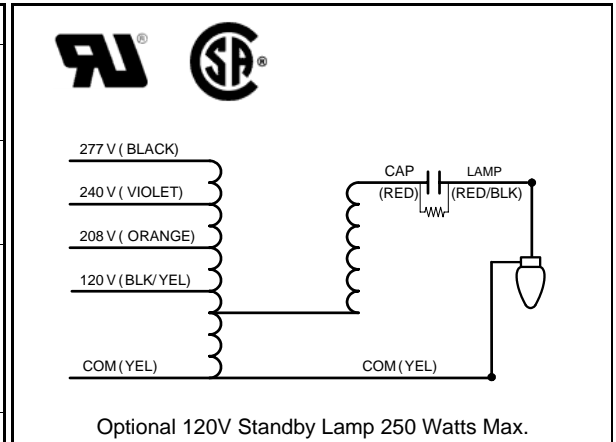
175W M57 / M107

Metal Halide

60Hz CWA

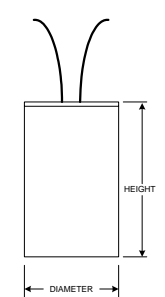
## Specification Sheet

<b>Input Volts</b>	120	208	240	277
<b>Regulation</b>				
Line Volts	±10%	±10%	±10%	±10%
Lamp Watts	±10%	±10%	±10%	±10%
Power Factor (min)	90%	90%	90%	90%
Input Watts	213 W	213 W	213 W	213 W
NOM. Open Circuit Voltage	305 V	305 V	305 V	305 V
<b>Line Current (Amps)</b>				
Operating	1.90	1.10	0.95	0.85
Open Circuit	1.70	0.95	0.85	0.70
Starting	1.40	0.80	0.70	0.60
Recommended Fuse (Amps)	5	3	3	2
Lamp Dropout Voltage (Line)	60 V	100 V	120 V	135 V
<b>UL Temperature Ratings</b>				
Insulation Class	H (180°C)	H (180°C)	H (180°C)	H (180°C)
Temperature Code	A	C	B	C
MIN. Starting Temperature	-22°F -30°C	-22°F -30°C	-22°F -30°C	-22°F -30°C
<b>CAPACITOR Specifications</b>				
Microfarads	10 uf	10 uf	10 uf	10 uf
Volts (min.)	400 V	400 V	400 V	400 V
<b>60Hz Test Procedures</b>				
High Potential Test 1 Minute	2000 V	2000 V	2000 V	2000 V
High Potential Test 1 Second	2500 V	2500 V	2500 V	2500 V
Secondary Open Ckt Voltage (V)	275 - 335	275 - 335	275 - 335	275 - 335
Secondary Current Shorted (A)	1.55 - 1.90	1.55 - 1.90	1.55 - 1.90	1.55 - 1.90
Input Operating Current (A)	1.70 - 2.20	1.00 - 1.25	0.85 - 1.10	0.75 - 0.95
Input Open Circuit Current (A)	0.80 - 2.45	0.45 - 1.40	0.40 - 1.25	0.35 - 1.05
Input Short Circuit Current (A)	1.05 - 1.60	0.60 - 0.90	0.50 - 0.80	0.45 - 0.70
<b>Core and Coil Specifications</b>				
Dimension A	2.20 in	2.20 in	2.20 in	2.20 in
Dimension B	3.60 in	3.60 in	3.60 in	3.60 in
Weight	6.10 lbs	6.10 lbs	6.10 lbs	6.10 lbs
Lead Lengths (inches)	12-14	12-14	12-14	12-14
Coil Material (Pri. / Sec.):	Cu / Al	Cu / Al	Cu / Al	Cu / Al



**Capacitor: R17058555**      **Ignitor: None**

Max Case Temp: 100 °C  
 Height: 2.83 in  
 Width / Diameter: 1.65 in



This Ballast does not require a Ignitor

Oil Cap. - P/N 005-1184-MF Consult Catalog for Specs.

Document #:	010-10883-06
Date:	7/22/2009
Status:	Production
Replaces Catalog #:	New Design

Data is based upon tests performed by Universal Lighting Technologies in a controlled environment and is representative of relative performance. Actual performance may vary depending on operating conditions. Specifications are subject to change without notice.