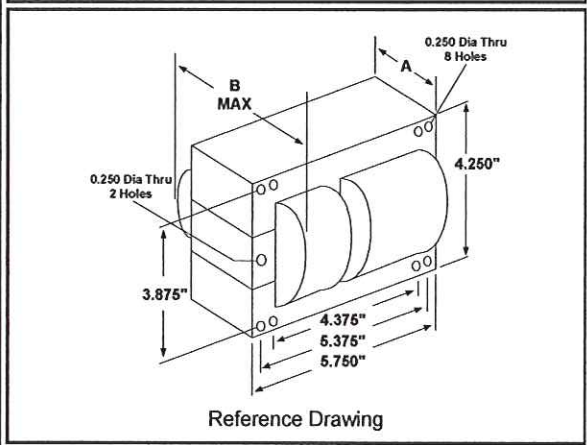
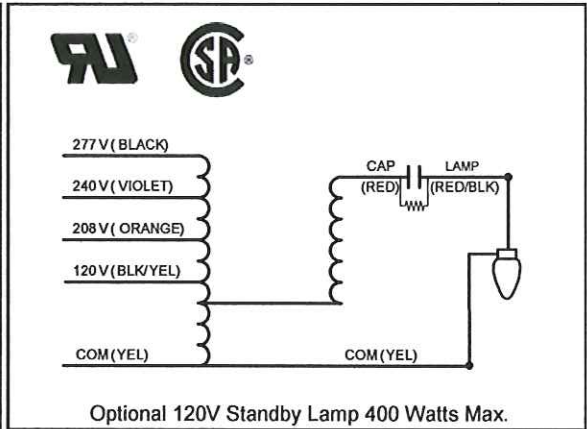


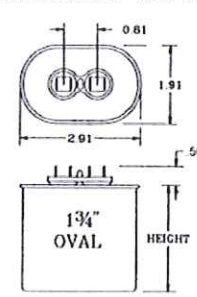
Specification Sheet

Input Volts	120	208	240	277
Regulation				
Line Volts	±10%	±10%	±10%	±10%
Lamp Watts	±10%	±10%	±10%	±10%
Power Factor (min)	90%	90%	90%	90%
Input Watts	1080 W	1080 W	1080 W	1080 W
NOM. Open Circuit Voltage	425 V	425 V	425 V	425 V
Line Current (Amps)				
Operating	8.95	5.15	4.50	3.90
Open Circuit	5.65	3.25	2.80	2.45
Starting	6.20	3.60	3.10	2.70
Recommended Fuse (Amps)	20	15	10	10
Lamp Dropout Voltage (Line)	75 V	130 V	150 V	170 V
UL Temperature Ratings				
Insulation Class	H (180°C)	H (180°C)	H (180°C)	H (180°C)
Temperature Code	D	D	D	D
MIN. Starting Temperature	-22°F -30°C	-22°F -30°C	-22°F -30°C	-22°F -30°C
CAPACITOR Specifications				
Microfarads	24 uf	24 uf	24 uf	24 uf
Volts (min.)	480 V	480 V	480 V	480 V
60Hz Test Procedures				
High Potential Test 1 Minute	2000 V	2000 V	2000 V	2000 V
High Potential Test 1 Second	2500 V	2500 V	2500 V	2500 V
Secondary Open Ckt Voltage (V)	380 - 465	380 - 465	380 - 465	380 - 465
Secondary Current Shorted (A)	4.90 - 6.05	4.90 - 6.05	4.90 - 6.05	4.90 - 6.05
Input Operating Current (A)	8.15 - 10.00	4.45 - 5.50	4.05 - 5.00	3.50 - 4.35
Input Open Circuit Current (A)	2.90 - 8.15	1.60 - 4.55	1.45 - 4.15	1.25 - 3.65
Input Short Circuit Current (A)	4.85 - 7.35	2.90 - 4.40	2.40 - 3.65	2.10 - 3.20
Core and Coil Specifications				
Dimension A	2.90 in	2.90 in	2.90 in	2.90 in
Dimension B	5.05 in	5.05 in	5.05 in	5.05 in
Weight	22.0 lbs	22.0 lbs	22.0 lbs	22.0 lbs
Lead Lengths (inches)	12-14	12-14	12-14	12-14
Coil Material (Pri. / Sec.):	Cu / Al	Cu / Al	Cu / Al	Cu / Al



Capacitor: 005-2779-MF **Ignitor: None**

Temp Rating: 90 °C
 Height: 3.90 in
 Width / Diameter: 2.91 in



This Ballast does not require a Ignitor

For alternate capacitor construction consult sales

Document #:	010-11022-03
Date:	2/18/2008
Status:	Production
Replaces Catalog #:	M1000MLTAC5M

Data is based upon tests performed by Universal Lighting Technologies in a controlled environment and is representative of relative performance. Actual performance may vary depending on operating conditions. Specifications are subject to change without notice.