

## DESCRIPTION

2-4 Lamps | T8HO or T12HO | 4'-32' Combined Lamp Length | Parallel Wiring

STARTING METHOD	INPUT VOLTAGE	LAMP CONNECTION	INPUT FREQUENCY
Instant Start	120-277VAC ±10%	Parallel	60/50 Hz

## PRODUCT FEATURES

- Sound Rated: A
- Minimum Starting Temperature: -20°F, -30°C
- Maximum Case Temperature: 194°F, 90°C
- Meets FCC Part 18 (Class A) Non-Consumer Limits
- UL, cUL 935 Listed, Class P, Type 2 Outdoor, Type HL

## ELECTRICAL SPECIFICATIONS FOR COMMON CONFIGURATIONS

Lamp Type	No. of Lamps	Input Volts	Input Watts	Input Current	Power Factor	Crest Factor
F96T12/HO*	4, 3, 2, 1	120V	267W	2.40A	>0.90	<1.70
		277V	267W	1.00A	>0.90	<1.70
F72T8/HO	4, 3, 2, 1	120V	244W	2.20A	>0.90	<1.70
		277V	242W	0.90A	>0.90	<1.70

\*Primary Lamp Type

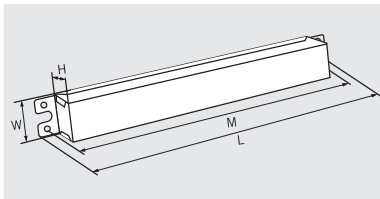
Consult factory for additional sign configurations.

## LAMP FOOTAGE

Lamp Type	Minimum	Maximum
T12HO	4'	32'
T8HO	4'	24'

## MECHANICAL SPECIFICATIONS

### CASE DIMENSIONS



<b>LENGTH</b>	11.65"
<b>WIDTH</b>	3.15"
<b>HEIGHT</b>	1.85"
<b>MOUNTING</b>	11.00"
<b>CASE STYLE</b>	L15

### STANDARD LEAD LENGTHS\*

<b>WHITE</b>	24"
<b>BLACK</b>	24"
<b>RED</b>	120"
<b>BLUE</b>	120"

\*Consult Keystone for special lead length requirements.

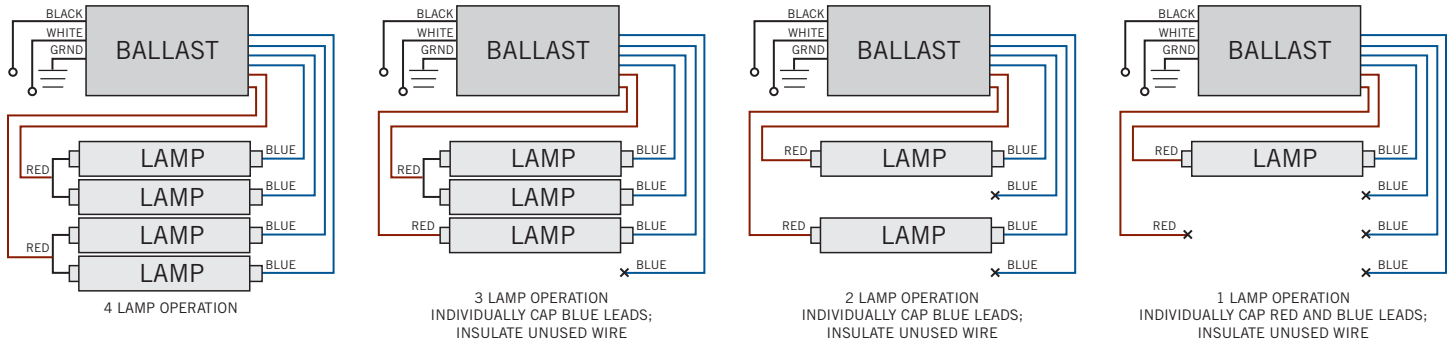
Lead wires are 18 AWG  
105°C/600V, solid copper.

**CASE MATERIAL:** Metal

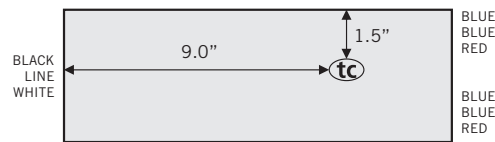
**FOR INSTALLATION PURPOSES**

Electronic sign ballast for 4, 3, 2 and 1 T12HO lamps up to 8' long or any combination thereof from 4'-32'.  
Electronic sign ballast for 4, 3, 2 and 1 T8HO lamps up to 6' long or any combination thereof from 4'-24'.

**WIRING DIAGRAM**



**HOT SPOT LOCATION**



Actual tc point is noted on each ballast label.

**ORDERING INFORMATION**

ORDER CODE	PACKAGING STYLE	PACK QTY.	ITEM STATUS
KTSE-E-0432-14-UV /A-IP	Individually Packaged	1	Quick Ship

**CATALOG NUMBER BREAKDOWN**

**KTSE-E-0432-14-UV /A-IP**



\*Minimum and maximum total lamp length based on T12HO lamps.