



WL Series

SPECIFICATIONS

- Fiberglass Housing, Weathered Brass Cover
- Clear Tempered Glass Lens
- Bronze Finish
- Corrosion Resistant
- Incandescent and LED E26 Medium Base Socket
- Optional Lamped

APPLICATIONS

- General Area Lighting/Landscape Lighting
- Security, Driveways, Pathways
- Walkways, Signs, Sidewalks

ELECTRICAL

- 120V: Incandescent Up to 150W
- UNV: LED 18 Watt Spot or Flood

INSTALLATION

- Ground Mount; In Soil or Concrete Applications

CERTIFICATIONS/LISTINGS

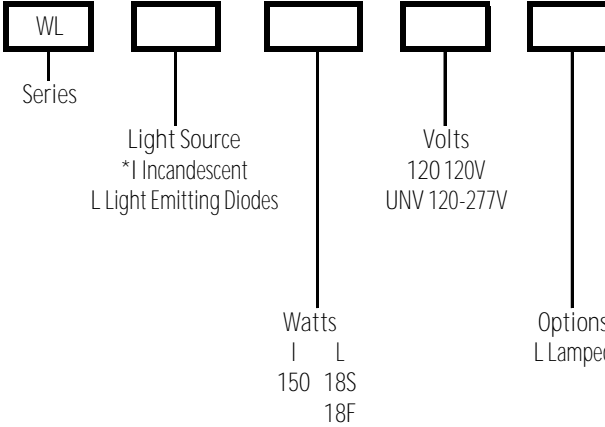
- ETL Listed
- Listed for Wet Locations

PROJECT _____ TYPE _____

QTY _____ NOTES _____ APPROVAL _____

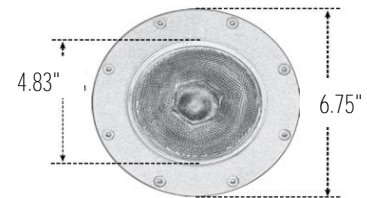
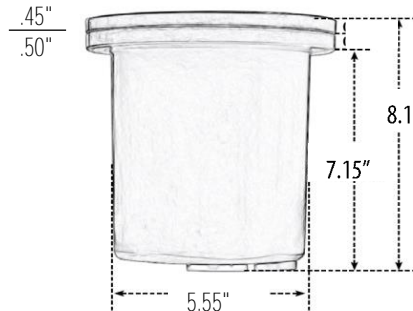
ORDERING/SPECIFYING INFORMATION:

EXAMPLE: WL I 150 120 L



*Up to 150W Incandescent

SPECIFICATIONS



OPTIONS/ACCESSORIES



Specifications Subject to Change

