

WFM Amber LED Series

LED Medium Full Cut Off Wall Pack Amber



WFM Amber LED Series

SPECIFICATIONS

- Die Cast Aluminum Housing
- Tempered Clear Flat Glass Lens
- Full Cut Off Front Frame
- Bronze Powder Coat Finish, Optional Custom Color
- CRI LED Aluminum Substrate Board
- Universal Volt LED Driver 120-277V
- Monochromatic Amber LED Light
- Turtle Friendly, LEDs Operates Between 585 Nanometers and 595 Nanometers
- Stainless Steel Hardware
- Skylight Friendly
- Optional Emergency Battery
- Optional Surge Protection
- Optional Dimming
- Optional Photocell
- Optional Wire Guard or Vandal Guard

APPLICATIONS

- General Area, Facade Lighting, Entry Lighting
- Platforms, Walkways, Parking, Tunnels
- Schools and Universities
- Commercial, Warehouse, Industrial Facilities

ELECTRICAL

- 120-277V; 50/60Hz
- 36 Watts; 4,343 Hi-Lumens
- 37 Watts; 1,279 Lumens

INSTALLATION

- Mounts Over Recessed Box or with Surface Conduit

CERTIFICATIONS/LISTINGS

- CSA Listed
- IP65
- Listed for Wet Locations



PROJECT _____ TYPE _____

QTY _____ NOTES _____ APPROVAL _____

ORDERING/SPECIFYING INFORMATION:

EXAMPLE: WFM L 37 TFL UNV



Series

Light Source
L Light Emitting Diodes

LED Color
TFL Turtle LED

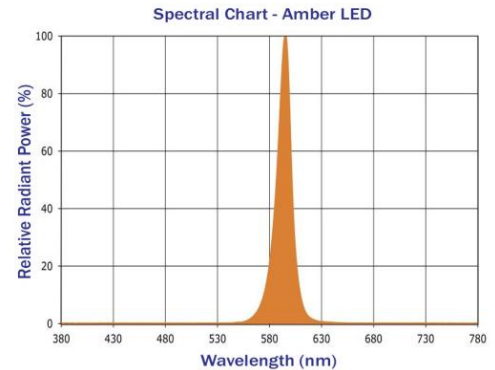
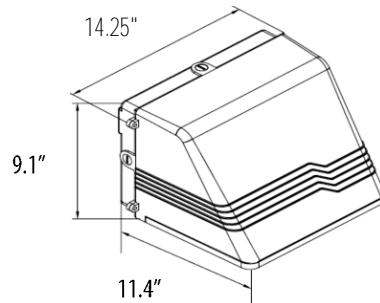


Options
EM 90 Min Battery
SP Surge Protection
D10 0-10V Dimming
PC Photocell
WG Wire Guard
VG Vandal Guard
CC Custom Color

Nominal Watts
36 36 Watts (Hi-Lumen)
37 37 Watts

Volts
UNV 120-277V

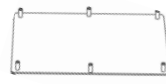
SPECIFICATIONS



OPTIONS/ACCESSORIES



WG Wire Guard



VG Vandal Guard

Specifications Subject to Change

