

SCC LED Series

LED Surface Canopy with Control



SCC LED Series

SPECIFICATIONS

- Die Cast Aluminum Housing
- Molded UV-Resistant Acrylic Optical Lens
- Bronze or White Powder Coat Finish, Optional Custom Color
- CRI LED Aluminum Substrate Board
- Universal Volt LED Driver 120-277V
- 3K, 4K, 5K or TFL Turtle LED Color
- Optional Emergency Battery
- Optional Surge Protection
- Optional Dimming
- Optional Sensing Control for Bi-Level Operation
- Optional Photocell

APPLICATIONS

- Garage Area Lighting
- Retail Centers, Industrial Parks, Airports
- Schools, Commercial Buildings, Universities

ELECTRICAL

- 120-277V; 50/60Hz
- 30 Watts; 4,526 Lumens (3K or 4K Only)
- 37 Watts; 5,582 Lumens (4K Only)
- 48 Watts; 7,242 Lumens (4K or 5K Only)
- 65 Watts; 9,807 Lumens (4K Only)

INSTALLATION

- Mounts Over Recessed Box or with Surface Conduit

CERTIFICATIONS/LISTINGS

- CSA Listed
- IP66
- Listed for Wet Locations

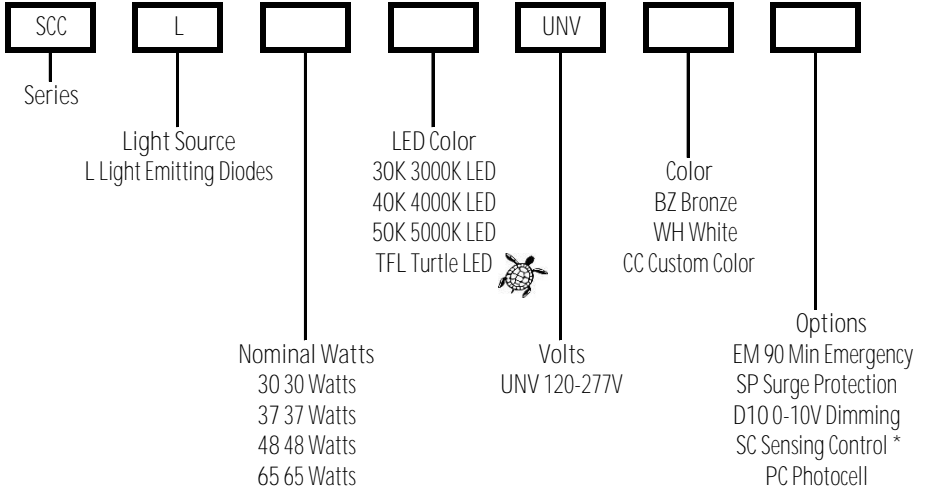


PROJECT _____ TYPE _____

QTY _____ NOTES _____ APPROVAL _____

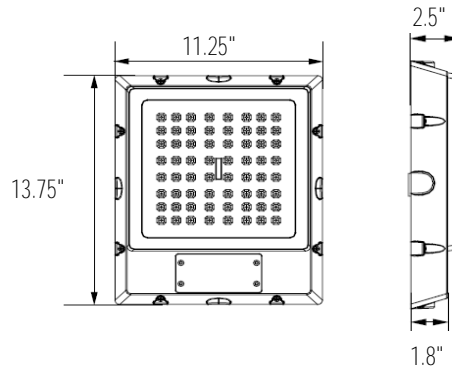
ORDERING/SPECIFYING INFORMATION:

EXAMPLE: SCC L 48 40K UNV BZ



* Up to 15 Feet Mounting

SPECIFICATIONS



OPTIONS/ACCESSORIES

Specifications Subject to Change

