

SCC Amber LED Series

LED Surface Canopy with Control Amber



SCC Amber LED Series

SPECIFICATIONS

- Die Cast Aluminum Housing
- Molded UV-Resistant Acrylic Optical Lens
- Bronze or White Powder Coat Finish, Optional Custom Color
- CRI LED Aluminum Substrate Board
- Universal Volt LED Driver 120-277V
- Monochromatic Amber LED Light
- Turtle Friendly, LEDs Operates Between 585 Nanometers and 595 Nanometers
- Optional Emergency Battery
- Optional Surge Protection
- Optional Dimming
- Optional Sensing Control for Bi-Level Operation
- Optional Photocell

APPLICATIONS

- Garage Area Lighting
- Retail Centers, Industrial Parks, Airports
- Schools, Commercial Buildings, Universities

ELECTRICAL

- 120-277V; 50/60Hz
- 39 Watts; 1,877 Lumens
- 52 Watts; 2,292 Lumens

INSTALLATION

- Surface Mount over Recessed Box

CERTIFICATIONS/LISTINGS

- CSA Listed
- IP66
- Listed for Wet Locations

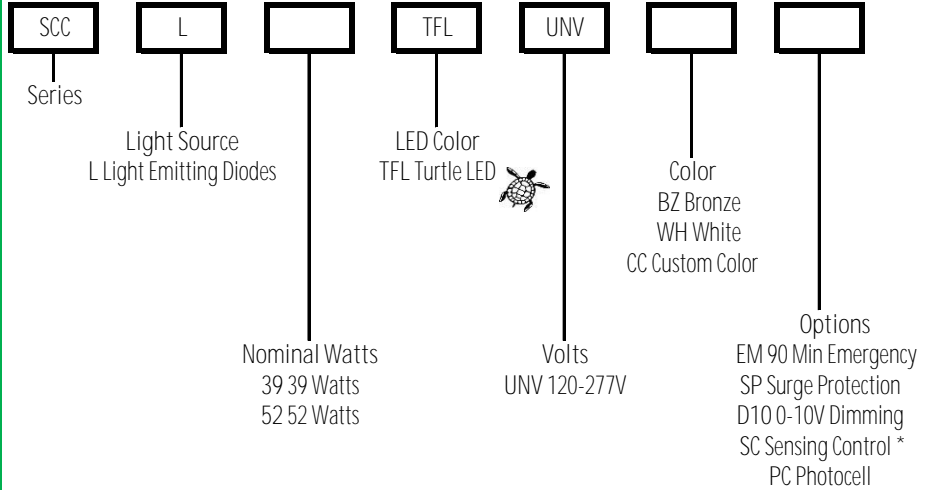


PROJECT _____ TYPE _____

QTY _____ NOTES _____ APPROVAL _____

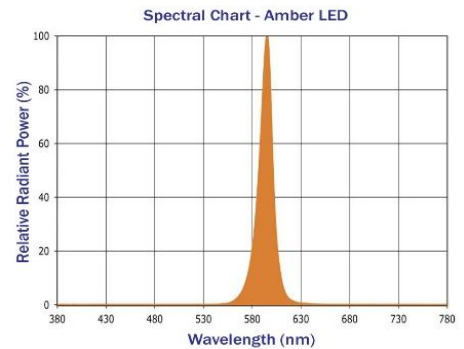
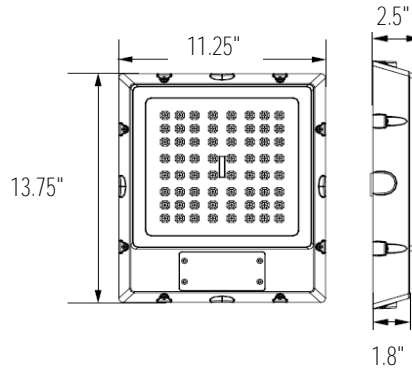
ORDERING/SPECIFYING INFORMATION:

EXAMPLE: SCC L 52 TFL UNV BZ



* Up to 15 Feet Mounting

SPECIFICATIONS



OPTIONS/ACCESSORIES

Specifications Subject to Change

