



OLB LED Series

SPECIFICATIONS

- Die Cast Aluminum Housing
- Tempered Clear Flat Glass Lens
- Bronze Powder Coat Finish, Optional Custom Color
- CRI LED COB
- Universal Volt LED COB 120-277V, Optional 12V
- 41K or TFL Amber LED Color Options
- 30° Narrow, 70° Medium or 100° Wide Distribution
- Built-in Heat Sink
- Stainless Steel Hardware
- Optional Surge Protection
- Optional Dimming
- Optional Glare Shield

APPLICATIONS

- General Area Lighting, Landscape Lighting
- Driveways, Walkways, Campuses
- Schools, Commercial Buildings, Communities

ELECTRICAL

- 120-277V; 50/60Hz
- 12V; 50/60Hz (Non Dimming) Low Voltage
- 20 Watt COB
- 30 Degree; 2,326 Lumens
- 70 Degree; 2,372 Lumens
- 100 Degree; 2,336 Lumens

INSTALLATION

- Mounts with 1/2" Threaded Knuckle

CERTIFICATIONS/LISTINGS

- CSA Listed
- IP65
- Listed for Wet Locations

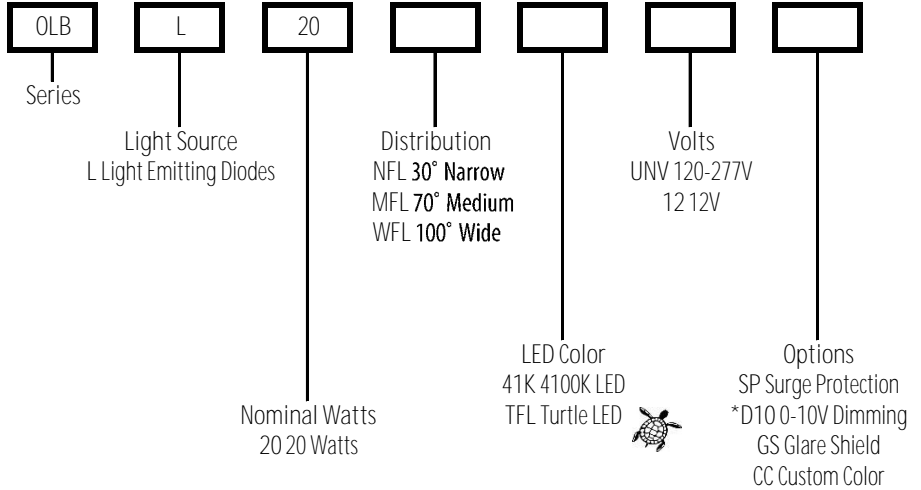


PROJECT _____ TYPE _____

QTY _____ NOTES _____ APPROVAL _____

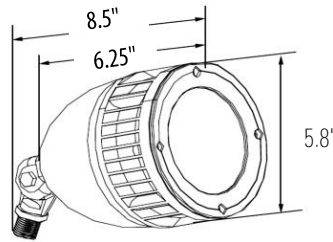
ORDERING/SPECIFYING INFORMATION:

EXAMPLE: OLB L 20 MFL 41K UNV



*12V Not Available in Dimming

SPECIFICATIONS



OPTIONS/ACCESSORIES



GS Glare Shield

Specifications Subject to Change

