

OLB Amber LED Series

Orion LED Landscape Bullet Amber



OLB Amber LED Series

SPECIFICATIONS

- Die Cast Aluminum Housing
- Tempered Clear Flat Glass Lens
- Bronze Powder Coat Finish, Optional Custom Color
- CRI LED COB
- Universal Volt LED COB 120-277V, Optional 12 Volt
- Monochromatic Amber LED Light
- Turtle Friendly, LEDs Operates Between 585 Nanometers and 595 Nanometers
- 30° Narrow, 70° Medium or 100° Wide Distribution
- Built-in Heat Sink
- Stainless Steel Hardware
- Optional Surge Protection
- Optional Dimming
- Optional Glare Shield

APPLICATIONS

- General Area Lighting
- Driveways, Walkways, Campuses
- Schools, Commercial Buildings, Communities

ELECTRICAL

- 120-277V; 50/60Hz
- 12V; 50/60Hz (Non-Dimming) Low Voltage
- 20 Watt COB

INSTALLATION

- Mounts with 1/2" Threaded Knuckle

CERTIFICATIONS/LISTINGS

- CSA Listed
- IP65
- Listed for Wet Locations

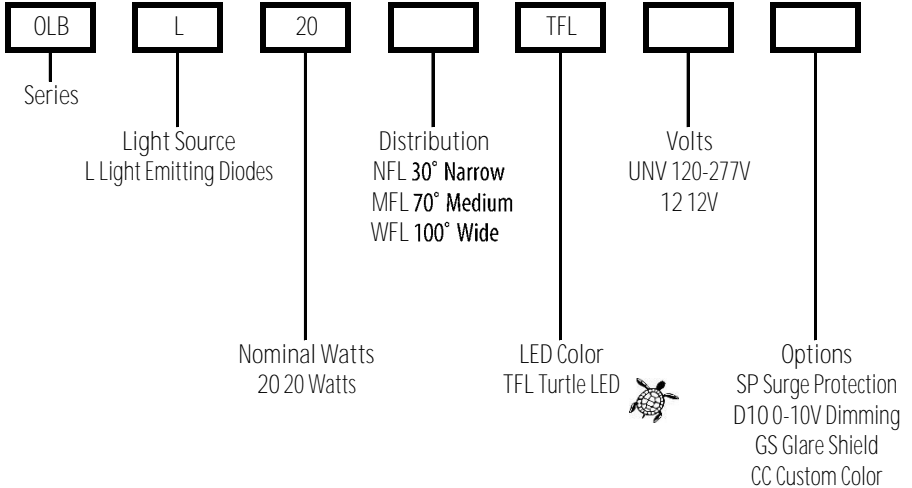


PROJECT _____ TYPE _____

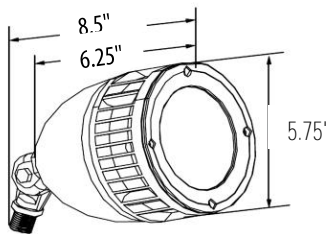
QTY _____ NOTES _____ APPROVAL _____

ORDERING/SPECIFYING INFORMATION:

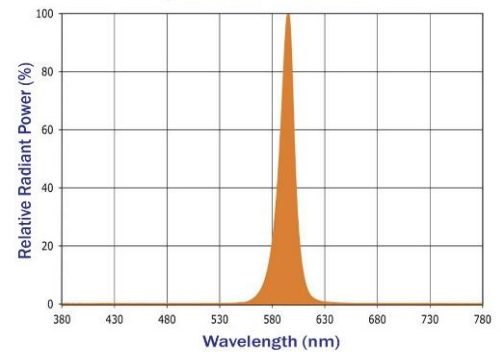
EXAMPLE: OLB L 20 MFL TFL UNV



SPECIFICATIONS



Spectral Chart - Amber LED



OPTIONS/ACCESSORIES



GS Glare Shield

Specifications Subject to Change

