



LHB LED Series

SPECIFICATIONS

- Heavy Gauge Steel Housing
- Frosted Acrylic or Clear Lens
- CRI LED Light Engine
- Universal Volt LED Driver 120-277V, Optional 480V
- 4K or 5K LED Color Options
- 10 Foot Y-Toggle Aircraft Cable Mounting Hardware Included
- Optional Dimming
- Optional Emergency Battery
- Optional Occupancy Sensor
- Optional Surge Protection
- Optional Microwave Sensor
- Optional Wire Guard

APPLICATIONS

- General Area Lighting
- Warehouses, Distribution Centers, Grocery Stores
- Gymnasiums and Recreational Facilities
- Service Repair Centers and Industrial Facilities

ELECTRICAL

- 120-277V; 50/60Hz
- Optional 480V; 50/60Hz
- 65 Watts; 8,450 Lumens
- 110 Watts; 14,400 Lumens
- 162 Watts; 21,000 Lumens
- 223 Watts; 29,000 Lumens
- 265 Watts; 34,500 Lumens
- 321 Watts; 42,000 Lumens
- 425 Watts; 55,000 Lumens

INSTALLATION

- Surface Mounts, Includes 10 Foot Aircraft Cable

CERTIFICATIONS/LISTINGS

- UL Listed
- Listed for Damp Locations

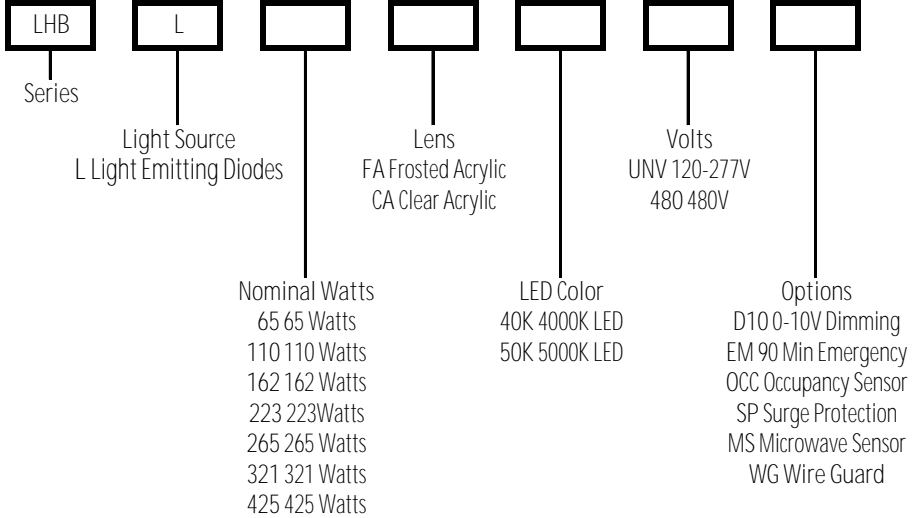


PROJECT _____ TYPE _____

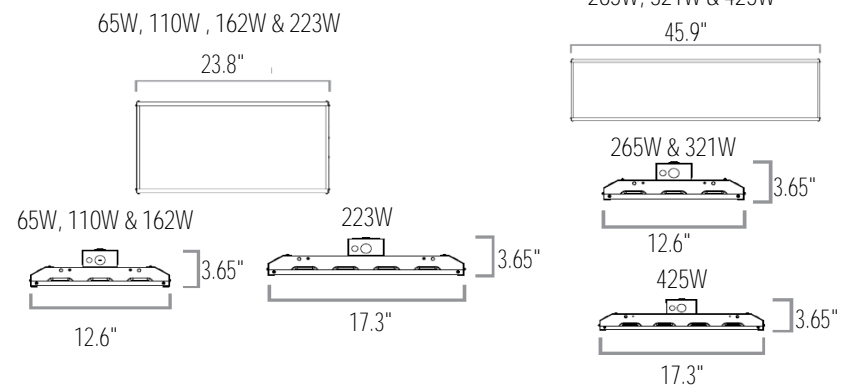
QTY _____ NOTES _____ APPROVAL _____

ORDERING/SPECIFYING INFORMATION:

EXAMPLE: LHB L 162 FA 50K UNV



SPECIFICATIONS



OPTIONS/ACCESSORIES



WG Wire Guard

Specifications Subject to Change

