

PIN SOCKETS

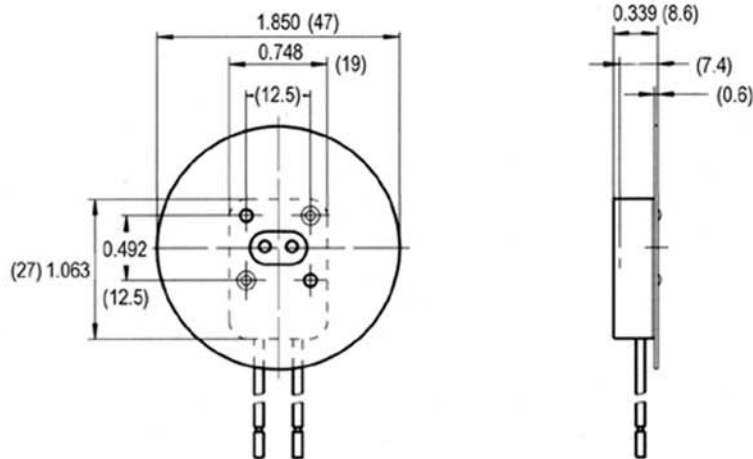
Round Analog Halogen Socket



GX5.3 Bi-Pin Base



Fits lamp base(s): G5.3, GU5.3, GX5.3, GY5.3
Ratings: 100w - 250v
Material: Porcelain
Certifications: UR, CSA listed
Lamp Axis: 0 mm
Mounting Style: Butt-On
Wiring Method: 8in. leads
Overall Height: 1.85



Item # : 51488

Order Code : SKMR16 / HEAT-DISK / L



1489 W 13th St Riviera Beach, FL 33404

Sales@AmericaLight.com Ph (561) 296-0364 Fax (561) 296-0370