

T5 Miniature Bi Pin

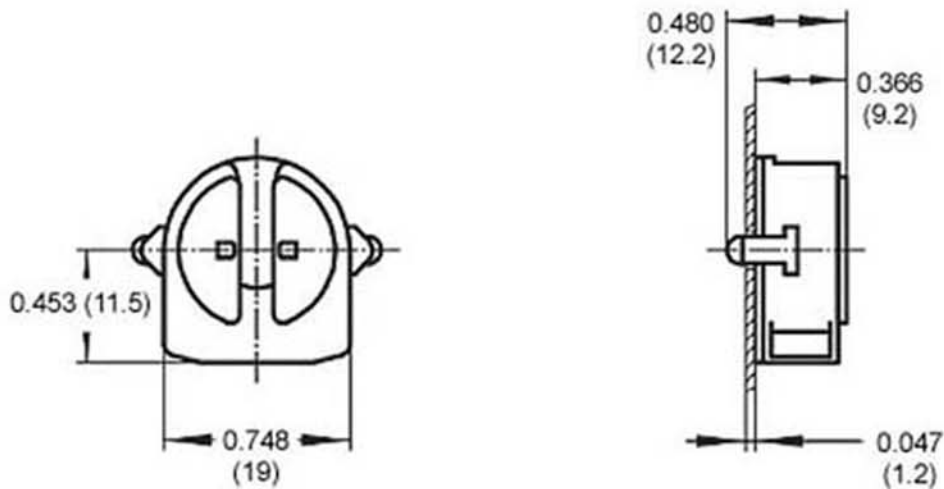
Rotary lock Back Snap In

G5 Mini Bi-Pin Base

USA SOCKET



Fits lamp base(s): G5 miniature bipin
Ratings: 120w -600v
UPC: 4014364254210
Material: PBT GF
Certifications: cULus (E110363), ENEC, VDE
Lamp Axis: 11.5 mm
Mounting Style: Rear Split Pins
Wiring Method: Quick Connects
Overall Height: 0.833



Item # : 50025

Order Code : SKMBP / RLOCK / BSNAP

AMERICA LIGHT

1489 W 13th St Riviera Beach, FL 33404

Sales@AmericaLight.com Ph (561) 296-0364 Fax (561) 296-0370