

T5 Miniature Bi Pin

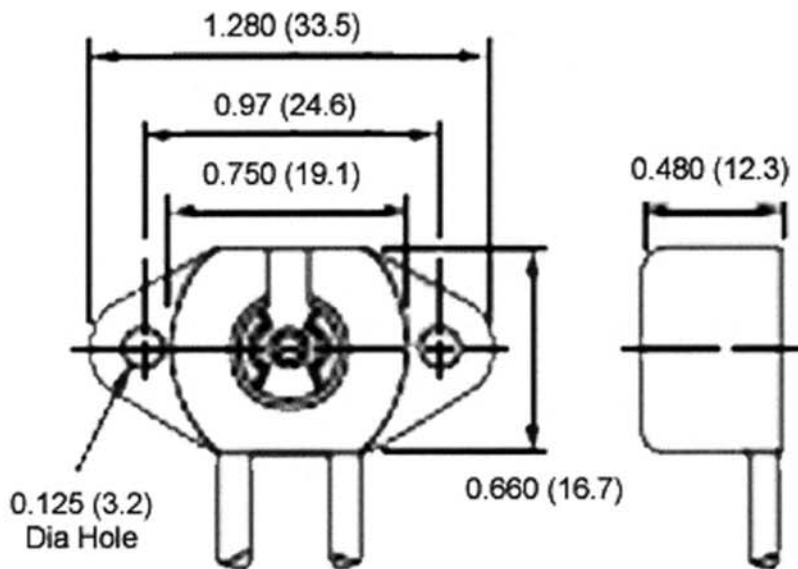
Flanged Mount with Leads



G5 Mini Bi-Pin Base



Fits lamp base(s): G5 miniature bipin
Ratings: 75w - 250v
Material: Thermoplastic
Certifications: UL, CSA listed
Lamp Axis: 8.5 mm
Mounting Style: Butt-On - Screw mount
Wiring Method: #18 awg 6in. 105'c 600v leads
Overall Height: 0.66



Item # : 50019

Order Code : SKMBP / FLANGE / L



1489 W 13th St Riviera Beach, FL 33404

Sales@AmericaLight.com Ph (561) 296-0364 Fax (561) 296-0370