

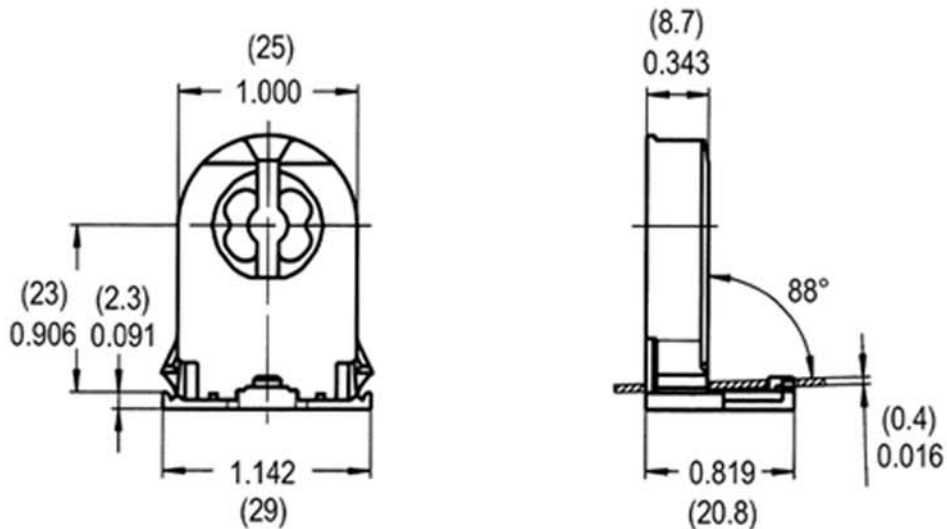
T8 Medium Bi-Pin

Rotary Lock with Nib Shunted

G13 Medium Bi-Pin



Fits lamp base(s): G13 medium bipin
Ratings: 660w - 600v
Material: Polycarbonate
Certifications: cULus, CSA listed
Lamp Axis: 23 mm
Mounting Style: Snap In Mount - Slide on
Wiring Method: Quick Connects
Overall Height: 1.482



Item # : 50213

Order Code : SKBP / RLOCK / SHUNT / N