

# Medium Base Bi-Pin

## Snap In Spring

G13 Medium Bi-Pin Base

**USA**   
**SOCKET**



Fits lamp base(s): G13 medium bipin

Ratings: 660w - 600v

Material: Thermoplastic and stainless steel

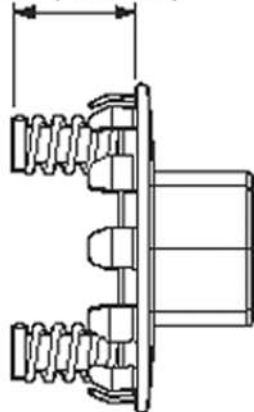
Certifications: UL (5833), CSA listed (LR-1863),  
NOM (057)

Mounting Style: Snap in

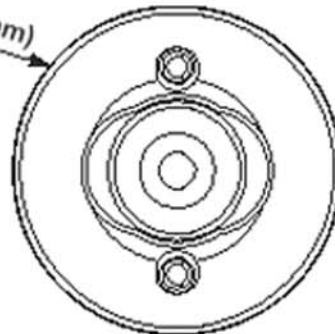
Wiring Method: Quick Connects

Overall Height: 1.64

0.64 (16.3 mm)



Ø1.64 (41.7 mm)



Item # : 50211

Order Code : SKBP / SNAP-IN / SPRING

**AMERICA**  
 **LIGHT**

1489 W 13th St Riviera Beach, FL 33404

Sales@AmericaLight.com Ph (561) 296-0364 Fax (561) 296-0370