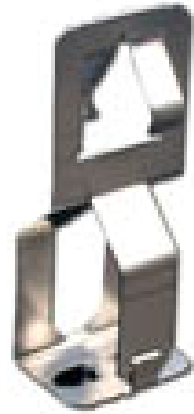


# Horizontal Internal Clip

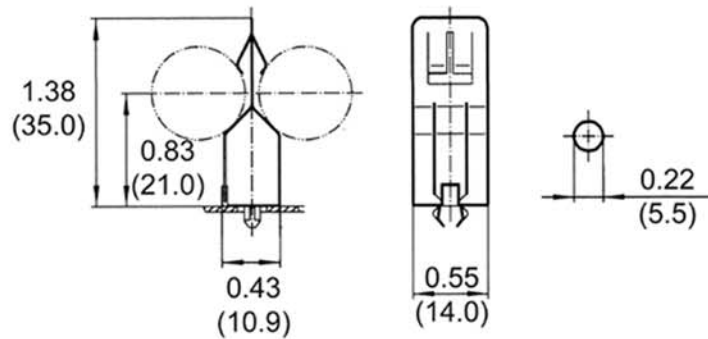
## Horizontal Push Foot

CF Twin T5 Retainer

**USA**   
**SOCKET**



Fits lamp base(s): 2G10, 2G11  
Material: Stainless Steel  
Lamp Axis: 21 mm  
Mounting Style: Round push foot  
Overall Height: 1.527



Item # : 50943

Order Code : SKPLL / HIM-CLIP

**AMERICA**  
 **LIGHT**

1489 W 13th St Riviera Beach, FL 33404

Sales@AmericaLight.com Ph (561) 296-0364 Fax (561) 296-0370