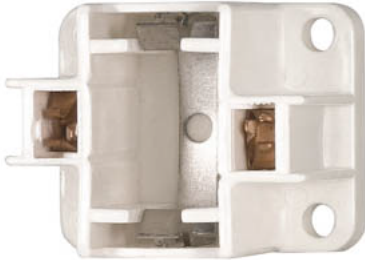


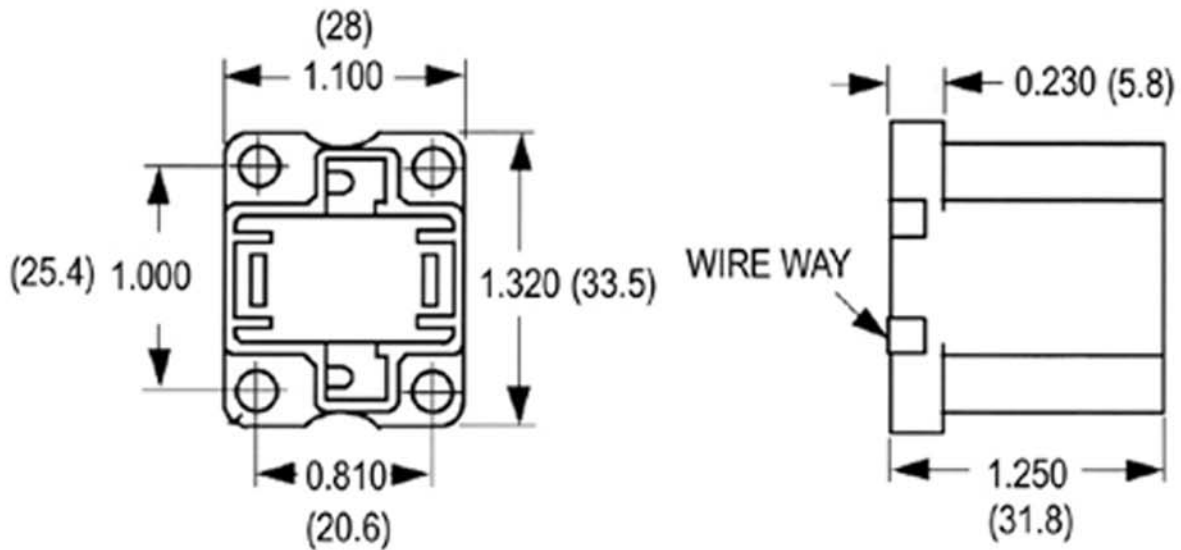
## CF 13

### 2-Pin Vertical

GX23 2 Pin Base



Fits lamp base(s): GX23, GX23-2  
Ratings: 75w - 600v  
Material: Polycarbonate  
Certifications: UL, CSA listed  
Mounting Style: Four hole mount



Item # : 50413

Order Code : SKCF2P / 13V