

# Turn / Lock SOCKETS

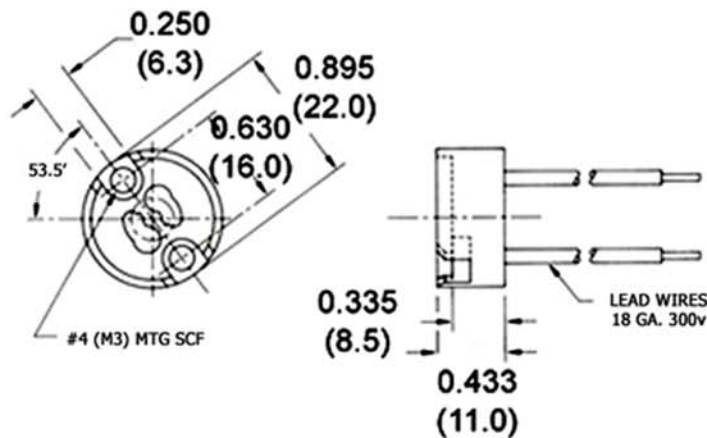
## Base Halogen Socket with Leads

# USA SOCKET

GU7 Base



Fits lamp base(s): GU7  
Ratings: 50v - 10a  
Material: Ceramic w/Mica backing  
Certifications: CSA listed  
Lamp Axis: 0 mm  
Mounting Style: Turn and lock  
Wiring Method: #18 awg 12in. 250'c 300v leads  
Overall Height: 0.433



Item # : 51692

Order Code : SKGU7 / ROUND / L

**AMERICA**  
 **LIGHT**

1489 W 13th St Riviera Beach, FL 33404

Sales@AmericaLight.com Ph (561) 296-0364 Fax (561) 296-0370