

EML Series

2 Head LED Emergency Light



EML Series

SPECIFICATIONS

- Injection Molded Thermoplastic Housing
- Adjustable Glare Free Lighting Heads
- Push to Test Switch
- LED Charge Indicator
- Ni-Cad Premium Battery
- 1W LED Heads Standard
- 1.15W LED Heads on High Lumen Models
- Remote Capable Option (White)
- LED Light Source
- Wall or Ceiling Mount
- Dual Voltage 120/277V
- Black or White Finish

APPLICATIONS

- General Emergency Lighting
- Offices, Warehouses, Walkways, Garages
- Wall or Ceiling Mount
- Suitable for Outside Covered Applications

ELECTRICAL

- 120/277V; 60Hz
- 90 Minute Emergency Operation

INSTALLATION

- Surface Mount over Surface or Recessed J-Box

CERTIFICATIONS/LISTINGS

- UL Listed
- Listed for Damp Locations

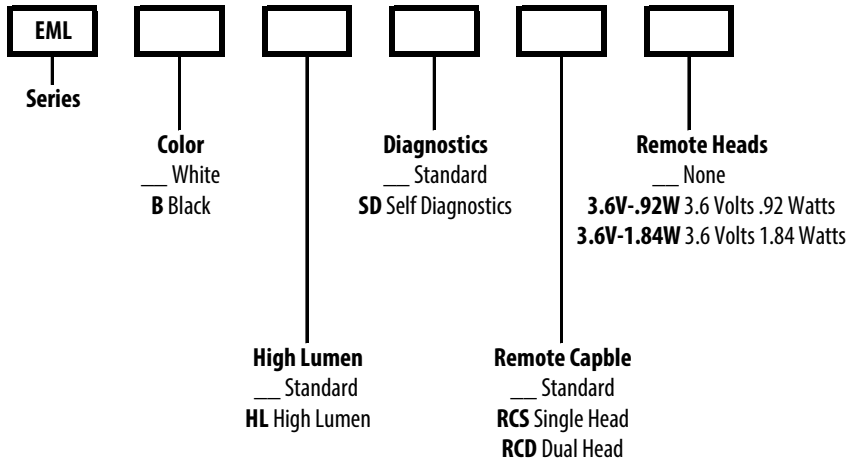


PROJECT _____ TYPE _____

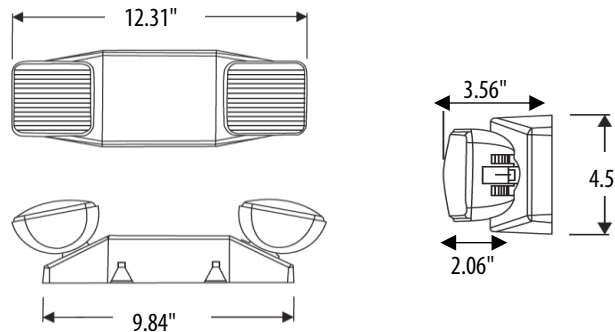
QTY _____ NOTES _____ APPROVAL _____

ORDERING/SPECIFYING INFORMATION:

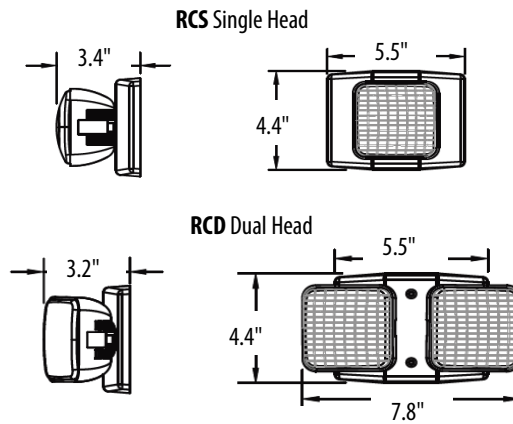
EXAMPLE: EML



SPECIFICATIONS



OPTIONS/ACCESSORIES



Specifications Subject to Change

