



EL Series

**SPECIFICATIONS**

- Aluminum Housing
- Injected Molded Acrylic
- LED Charge Indicator
- Push to Test Switch
- 6V Lead Acid Battery, Maintenance Free
- Snap In/Out Chevron Direction Indicators
- Optional AC and Battery Back Up Models
- Single Face or Double Face (Blank Included)
- LED Light Source
- Dual Voltage 120/277V
- Optional Wire Guard

**APPLICATIONS**

- General Emergency Lighting
- Offices, Warehouses, Walkways, Garages
- Ceiling or Wall Mount
- Suitable for Outside Covered Applications

**ELECTRICAL**

- 120/277V; 60Hz
- 90 Minute Emergency Operation, Optional

**INSTALLATION**

- Ceiling or Wall Mount

**CERTIFICATIONS/LISTINGS**

- UL Listed
- Listed for Damp Locations

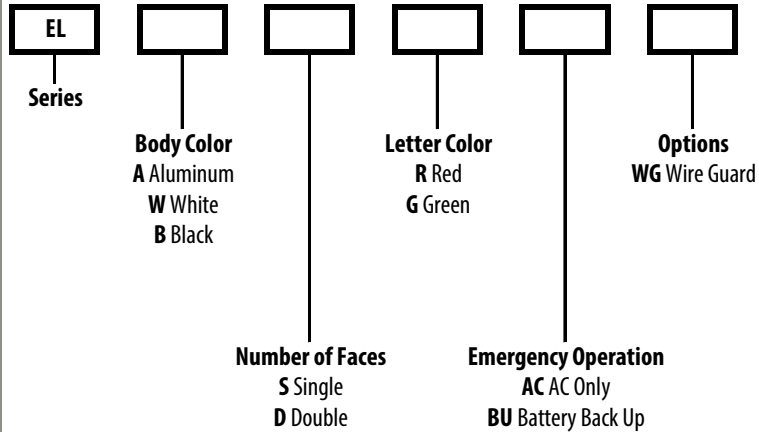


PROJECT \_\_\_\_\_ TYPE \_\_\_\_\_

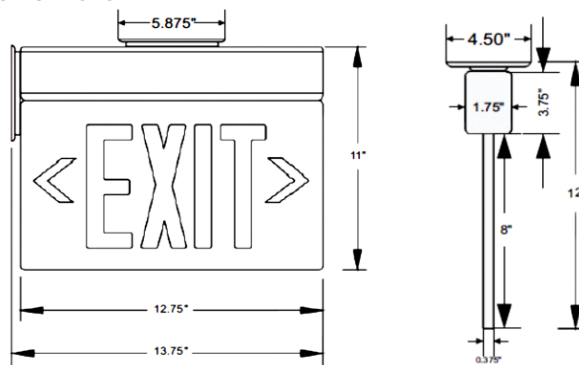
QTY \_\_\_\_\_ NOTES \_\_\_\_\_ APPROVAL \_\_\_\_\_

**ORDERING/SPECIFYING INFORMATION:**

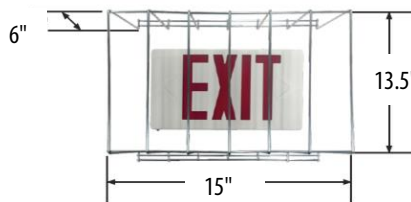
EXAMPLE: EL A S R BU



**SPECIFICATIONS**



**OPTIONS/ACCESSORIES**



WG Wire Guard



Specifications Subject to Change