



DD Series

SPECIFICATIONS

- Die Cast Aluminum Housing
- Formed 12" Aluminum Reflector
- Acrylic Prismatic Refractor
- HID Porcelain Medium 4KV Base Socket or CF Plug-In Type, GX24Q
- Stainless Steel Hardware
- Multiple Light Source Options
- Twist Lock Photocell Included
- 18" Mounting Arm Included

APPLICATIONS

- General Area/Pathway Lighting
- Walkways, Parking, Roadway, Area
- Schools, Commercial Buildings, Communities
- Street Lighting, Car Lots, Campuses

ELECTRICAL

- 120V 50/60Hz; MH 175W & CF 65W

INSTALLATION

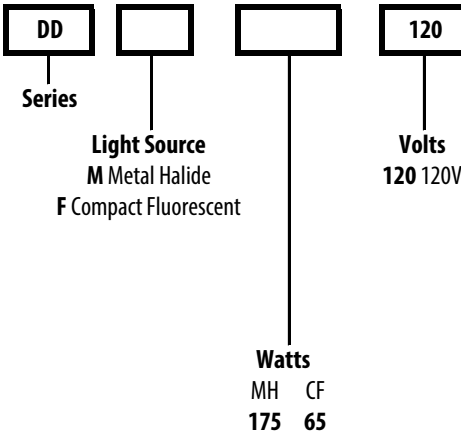
- Mounts with 18" Mounting Arm (Included)

PROJECT _____ TYPE _____

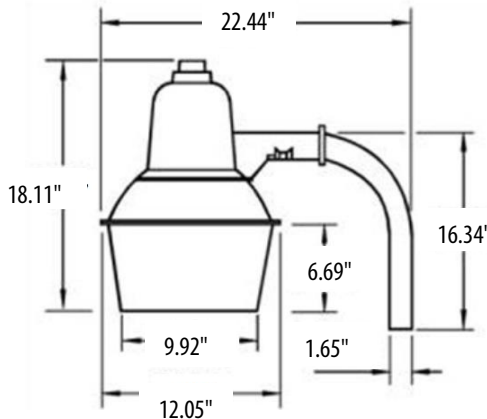
QTY _____ NOTES _____ APPROVAL _____

ORDERING/SPECIFYING INFORMATION:

EXAMPLE: DD M 175 120



SPECIFICATIONS



OPTIONS/ACCESSORIES



Specifications Subject to Change