

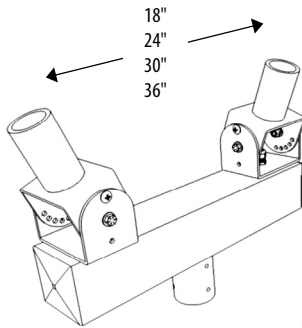
BHSAT Series

Square Adjustable Tenon Bullhorns

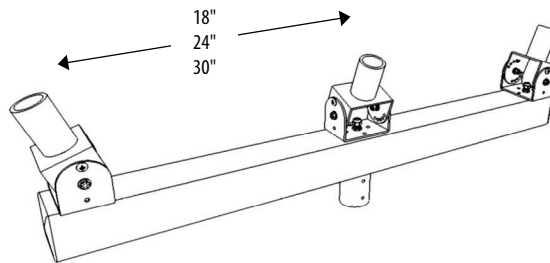
Ordering/Specifying Information

- Slips Over Existing Tenon
- Allows for Multiple Fixture Mounting
- Choice of Existing Tenons
- Choice of Spacing
- Bronze Powder Coat Finish
- Optional Colors
- End Tenons @45-90 or 135 Degrees
- Up/Down 90 Deg Vertical to Horizontal
- Middle Tenons Fixed at 180 Degrees

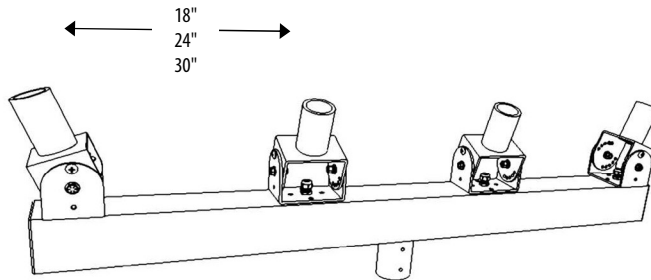
BHSAT					
Series		Slips Over — 2.38" OD 3 3" 3.5 3.5"		Color — Bronze CC Custom Color	
	Tenons-Degrees 2 2@180 3 3@180 4 4@180		Spacing "A" 18 18" 24 24" 30 30" 36 36"		End Tenons 45 45 Degrees 90 90 Degrees 135 135 Degrees — In Line



BHSAT-2



BHSAT-3



BHSAT-4

NOTES

- 1) Extruded Aluminum Tubing
- 2) Circumferently Welded 2.38" OD Tenons
- 3) Removable Plastic End Caps for Wiring Access
- 4) Internally Welded Stop
- 5) Qty 4 - 3/8" Allen Head Stainless Set Screws for Securing
- 6) Internally Welded Bushings for Accurate Fit



PROJECT		SOUTHEAST POLES		
TYPE	QTY	TITLE Square Adjustable Tenon Bullhorns		
NOTES		DRAWING/FILE SE Pole and Bracket Catalog.xlsx		
APPROVAL		DATE 4/26/2018	SCALE N.T.S.	SHEET 1 OF 1