

WSR LED Series

LED Rectangular Up/Down Wall Sconce



WSR Up/Down LED Series

SPECIFICATIONS

- Die Cast Aluminum Housing
- Tempered Clear Flat Glass Lens
- Removable Baffle to Convert from Down Light to Up/Down Light
- Bronze Powder Coat Finish, Optional Custom Color
- CRI LED Aluminum Substrate Board
- Universal Volt LED Driver with Optional Dimming
- 3K , 4K or 5K LED Color Options
- Stainless Steel Hardware
- Optional Surge Protection

APPLICATIONS

- General Area Lighting
- Building Facade Lighting
- Schools, Commerical Buildings, Universities

ELECTRICAL

- 120-277V; 50/60 Hz
- 32 Watts; 3,387 Lumens

INSTALLATION

- Surface Mount Over Recessed Box

CERTIFICATIONS/LISTINGS

- CSA Listed
- IP65
- Listed for Wet Locations

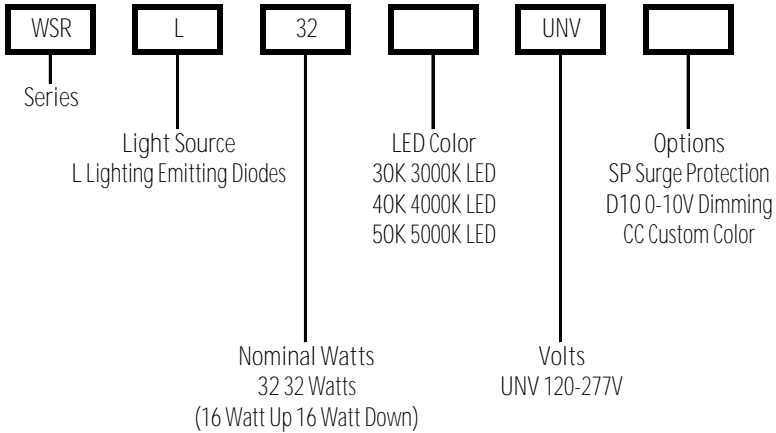


PROJECT _____ TYPE _____

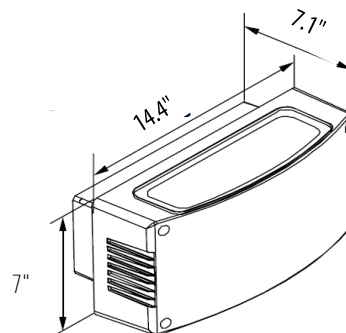
QTY _____ NOTES _____ APPROVAL _____

ORDERING/SPECIFYING INFORMATION:

EXAMPLE: WSR 32 40K UNV



SPECIFICATIONS



OPTIONS/ACCESSORIES

Specifications Subject to Change

