



OWC LED Series

**SPECIFICATIONS**

- Extruded Round Aluminum Housing with Built-in Heat Sinks
- White Reflector
- Tempered Clear Flat Glass Lens
- Bronze or Black Powder Coat Finish, Optional Custom Color
- CRI LED COB
- Universal Volt LED Driver 120-277V, Optional 480V
- 3K, 4K, 5K or TFL Amber LED Color Options
- Choice of Direction of Light Distribution
- 100 Degree Optic Standard; Optional 30 and 70 Degrees
- Optional Emergency Battery
- Optional Surge Protection
- Optional Dimming

**APPLICATIONS**

- General Area Lighting
- Building Facade Lighting
- Schools, Commercial Buildings, Universities

**ELECTRICAL**

- 120-277V; 50/60Hz
- Optional 480V
- 20 Watt COB; 2,364 Lumens (Down Light Only)
- 40 Watt COB; 4,577 Lumens (Up/Down Light)

**INSTALLATION**

- Surface Mount Over Recessed Box

**CERTIFICATIONS/LISTINGS**

- CSA Listed
- IP66
- Listed for Wet Locations

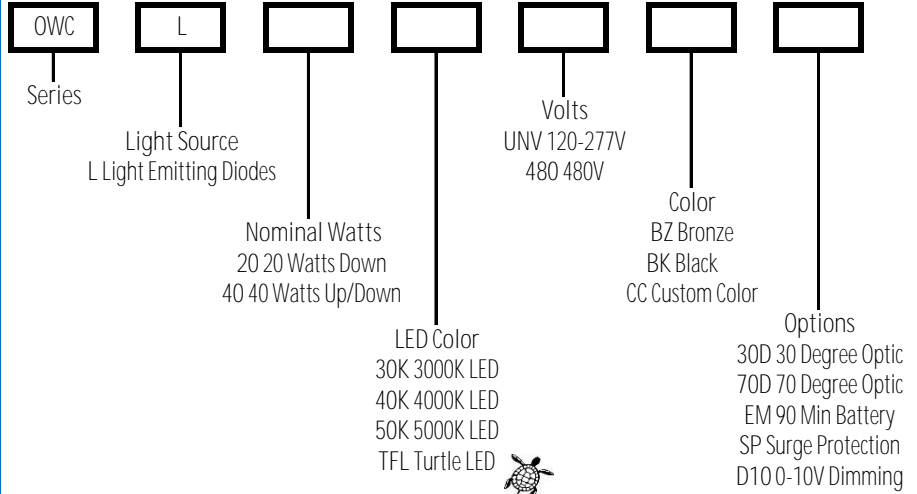


PROJECT \_\_\_\_\_ TYPE \_\_\_\_\_

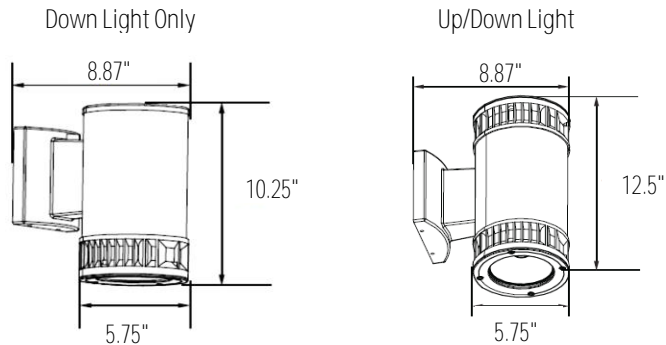
QTY \_\_\_\_\_ NOTES \_\_\_\_\_ APPROVAL \_\_\_\_\_

**ORDERING/SPECIFYING INFORMATION:**

EXAMPLE: OWC L 20 40K UNV BZ



**SPECIFICATIONS**



**OPTIONS/ACCESSORIES**

Specifications Subject to Change

