

# OSO LED Series

# Ovation LED Square Open Frame Wall Sconce



OSO LED Series

### SPECIFICATIONS

- Die Cast Aluminum Housing
- Open Front Frame, Gasketed
- Polycarbonate Opal Lens
- Bronze or White Powder Coat Finish, Optional Custom Color
- CRI LED Aluminum Substrate Board
- Universal Volt LED Driver with Optional Dimming
- 3K, 4K or 5K LED Color Options
- Stainless Steel Hardware
- Optional Motion Sensing Control for Bi-Level Operation
- Optional Emergency Battery
- Optional Surge Protection
- Optional Photocell

### APPLICATIONS

- General Area Lighting
- Building Facade Lighting
- Schools, Commercial Buildings, Universities

### ELECTRICAL

- 120-277V 50/60Hz
- 17 Watts; 2,263 Lumens

### INSTALLATION

- Mounts Over Recessed Box or Surface Conduit

### CERTIFICATIONS/LISTINGS

- CSA Listed
- IP66
- Listed for Wet Locations

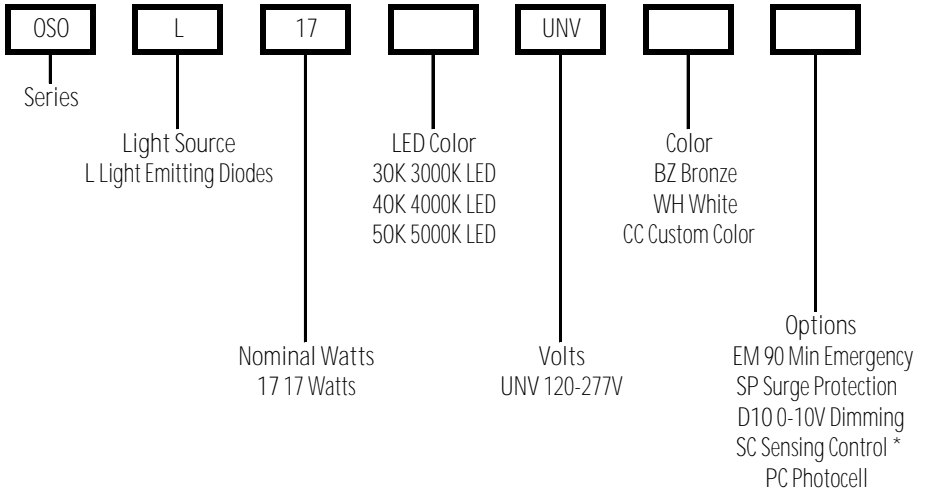


PROJECT \_\_\_\_\_ TYPE \_\_\_\_\_

QTY \_\_\_\_\_ NOTES \_\_\_\_\_ APPROVAL \_\_\_\_\_

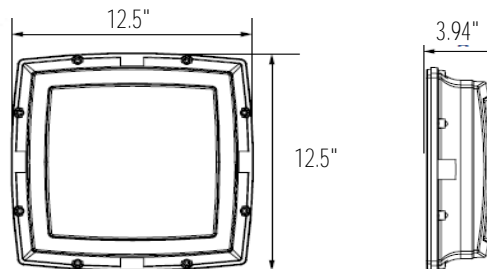
### ORDERING/SPECIFYING INFORMATION:

EXAMPLE: OSO L 17 40K UNV BZ



\* Up to 15 Feet Mounting

### SPECIFICATIONS



### OPTIONS/ACCESSORIES

Specifications Subject to Change

