

GRH Series

Genesis Large Round Half Cut Off Wall Sconce



GRH Series

SPECIFICATIONS

- Die Cast Aluminum Housing
- Half Cut Off Front Frame
- Clear or Frosted Molded Borosilicate Glass Lens
- White Powder Coat Steel Reflector
- Bronze, White or Black Powder Coat Finish
Optional Custom Color
- HID Porcelain Medium Base 4KV Socket
or CF Plug-In Type, GX24Q (Non LED)
- Multiple Light Source Options
- Universal Volt LED Driver with Optional Dimming
- 3K, 4K or 5K LED Color Options
- Optional Motion Sensing Control for Bi-Level
Operation (LED)
- Optional Emergency Battery
- Optional Surge Protection
- Optional Photocell

APPLICATIONS

- General Area Lighting
- Building Facade Lighting
- Schools, Commercial Buildings, Universities

ELECTRICAL

- 120V 50/60Hz: HPS 35W, 50W, 70W, 100W & 150W
- 120-277V 50/60Hz: CF 26W, 32W, 42W, 52W, 64W
& 84W & LED 23W
- 120/208/240/277V 50/60Hz: HPS & MH 50W, 70W,
100W & 150W
- 480V 50/60Hz LED 23W

INSTALLATION

- Mounts Over Recessed Box or Surface Conduit

CERTIFICATIONS/LISTINGS

- CSA Listed
- Listed for Wet Locations

**ALL-SITE
LIGHTING**

PROJECT _____ TYPE _____

QTY _____ NOTES _____ APPROVAL _____

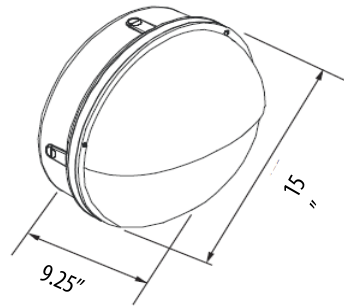
ORDERING/SPECIFYING INFORMATION:

EXAMPLE: GRH M 100 Q BZ

GRH									
Series	Light Source	Watts			Volts	Options			
	H High Pressure Sodium	HPS	MH	CF	2CF	LED			
	M Metal Halide	35	50	26	52	23	120 120V	L Lamped	EM 90 Min Battery
	F Compact Fluorescent	50	70	32	64		UNV 120-277V	SP Surge Protection	SP Surge Protection
	L Light Emitting Diodes	70	100	42	84		Q 120/208/240/277V	D10 0-10V Dimming (LED)	D10 0-10V Dimming (LED)
		100	150				480 480V	SC Sensing Control* (LED)	SC Sensing Control* (LED)
		150						PC Photocell	PC Photocell

*Up to 15 Feet Mounting

SPECIFICATIONS



OPTIONS/ACCESSORIES

Specifications Subject to Change

