



DKS LED Series

SPECIFICATIONS

- Diecast Aluminum Powder Coat Housing
- Frosted Lens for Diffused Lighting
- White Smooth Trim
- Choice of 4" or 6" Recessed Fixtures
- 27K, 30K or 40K LED Color Options
- Dimmable to 5% with a Wide Array of Dimmers
- Designed to Fit into Existing Openings or New Construction

APPLICATIONS

- General Area Lighting
- Offices, Residential, Retail Stores
- Hospitals, Restrooms, Corridors

ELECTRICAL

- 120V; 50/60Hz
- 10.5 Watts; 650 Lumens (4")
- 13.5 Watts; 1100 Lumens (6")

INSTALLATION

- Recessed Mount
- Existing Openings or New Construction

CERTIFICATIONS/LISTINGS

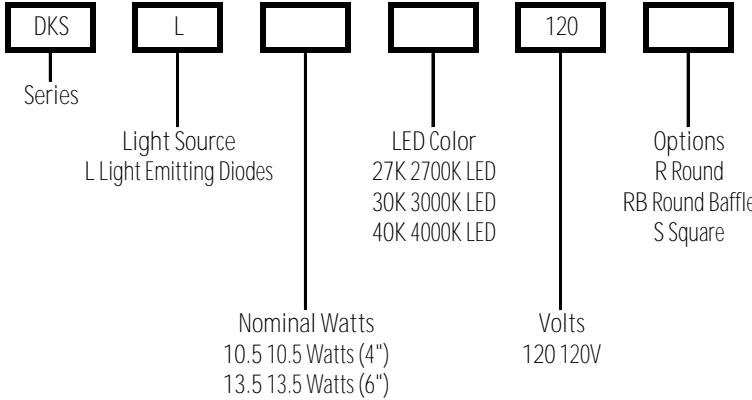
- ETL Listed
- IC Rated
- Listed for Wet Locations

MEMPHIS
LIGHTING

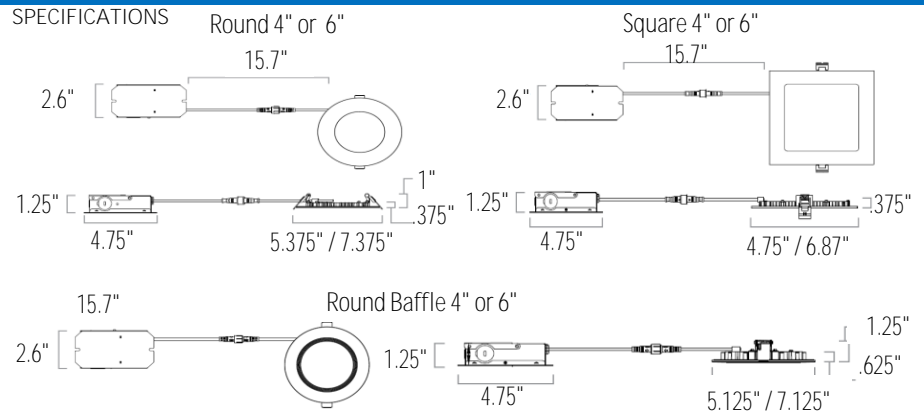
PROJECT _____ TYPE _____
 QTY _____ NOTES _____ APPROVAL _____

ORDERING/SPECIFYING INFORMATION:

EXAMPLE: DKS L 10.5 40K 120 S



SPECIFICATIONS



OPTIONS/ACCESSORIES

Specifications Subject to Change

