

S100MLTLC3M

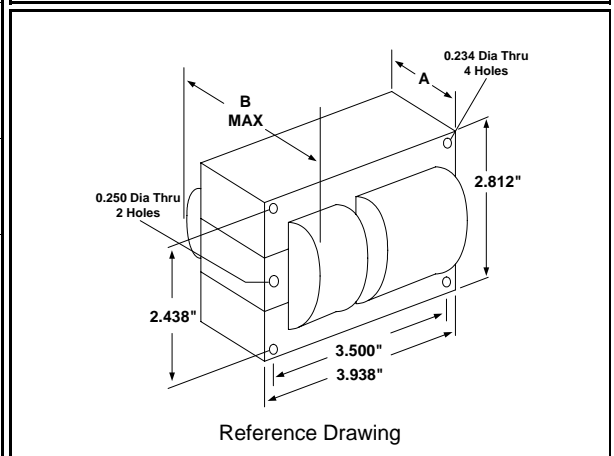
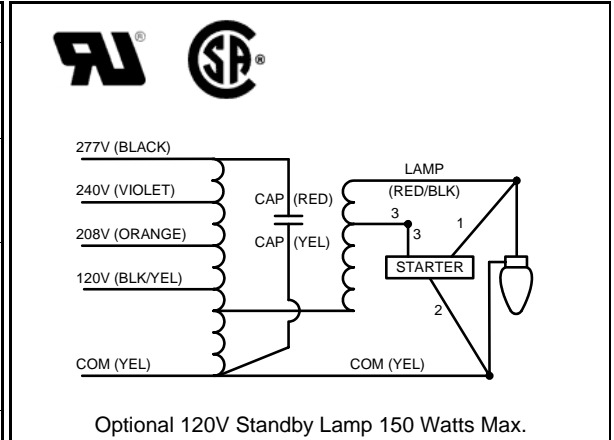
100W S54

High Pressure Sodium

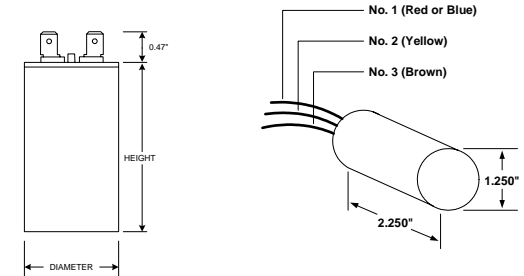
60Hz HX-HPF

Specification Sheet

Input Volts	120	208	240	277
Regulation				
Line Volts	±5%	±5%	±5%	±5%
Lamp Watts	±10%	±10%	±10%	±10%
Power Factor (min)	90%	90%	90%	90%
Input Watts	122 W	122 W	122 W	122 W
NOM. Open Circuit Voltage	120 V	120 V	120 V	120 V
Line Current (Amps)				
Operating	1.12	0.65	0.60	0.52
Open Circuit	2.20	1.30	1.10	0.95
Starting	0.80	0.55	0.41	0.35
Recommended Fuse (Amps)	7	5	3	3
Lamp Dropout Voltage (Line)	96 V	166 V	192 V	222 V
UL Temperature Ratings				
Insulation Class	H (180°C)	H (180°C)	H (180°C)	H (180°C)
Temperature Code	B	B	B	B
MIN. Starting Temperature	-40°F -40°C	-40°F -40°C	-40°F -40°C	-40°F -40°C
CAPACITOR Specifications				
Microfarads	10 uf	10 uf	10 uf	10 uf
Volts (min.)	280 V	280 V	280 V	280 V
60Hz Test Procedures				
High Potential Test 1 Minute	2000 V	2000 V	2000 V	2000 V
High Potential Test 1 Second	2500 V	2500 V	2500 V	2500 V
Secondary Open Ckt Voltage (V)	110 - 130	110 - 130	110 - 130	110 - 130
Secondary Current Shorted (A)	2.60 - 3.20	2.60 - 3.20	2.60 - 3.20	2.60 - 3.20
Input Operating Current (A)	1.02 - 1.24	0.59 - 0.72	0.55 - 0.67	0.47 - 0.58
Input Open Circuit Current (A)	1.10 - 3.15	0.65 - 1.86	0.55 - 1.57	0.48 - 1.36
Input Short Circuit Current (A)	0.66 - 1.00	0.36 - 0.55	0.32 - 0.50	0.26 - 0.42
Core and Coil Specifications				
Dimension A	2.00 in	2.00 in	2.00 in	2.00 in
Dimension B	3.36 in	3.36 in	3.36 in	3.36 in
Weight	6.00 lbs	6.00 lbs	6.00 lbs	6.00 lbs
Lead Lengths (inches)	12-14	12-14	12-14	12-14
Coil Material (Pri. / Sec.):	Cu / Cu	Cu / Cu	Cu / Cu	Cu / Cu



Capacitor: R17058517	Ignitor: HPS150-3A
Max Case Temp: 100 °C	Max Case Temp 105 °C
Height: 2.83 in	BTL: 10 ft
Width / Diameter: 1.26 in	



Oil Cap. - P/N 005-1413-MF Consult Catalog for Specs.

Document #:	010-9648-08
Date:	11/17/2008
Status:	Production
Replaces Catalog #:	12310-90

Data is based upon tests performed by Universal Lighting Technologies in a controlled environment and is representative of relative performance. Actual performance may vary depending on operating conditions. Specifications are subject to change without notice.

Universal Lighting Technologies

26 Century Blvd. Suite 500 - Nashville, TN 37214

Phone 1-800-225-5278 Fax 1-800-206-0035

www.unvlt.com

11/17/2008