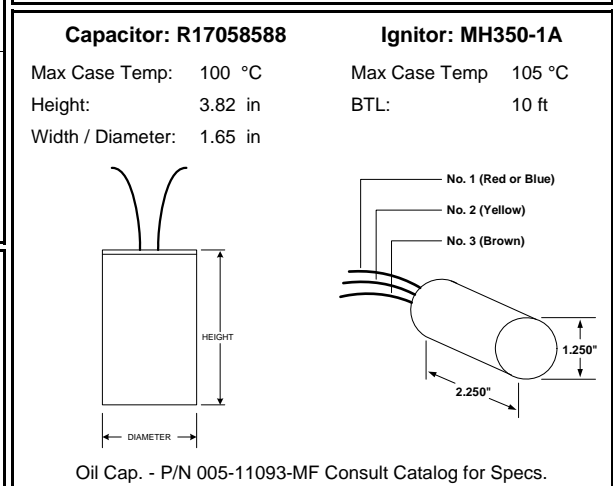
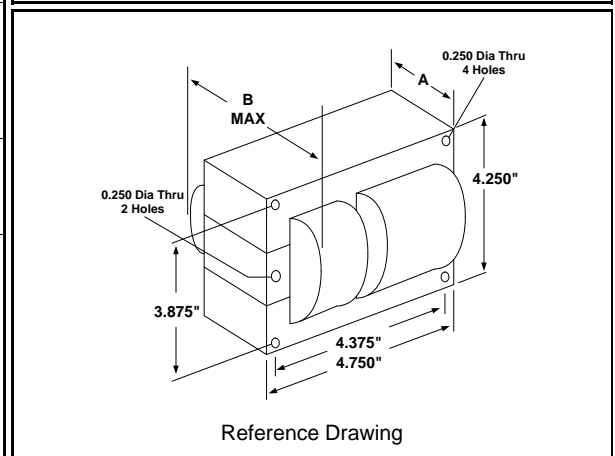
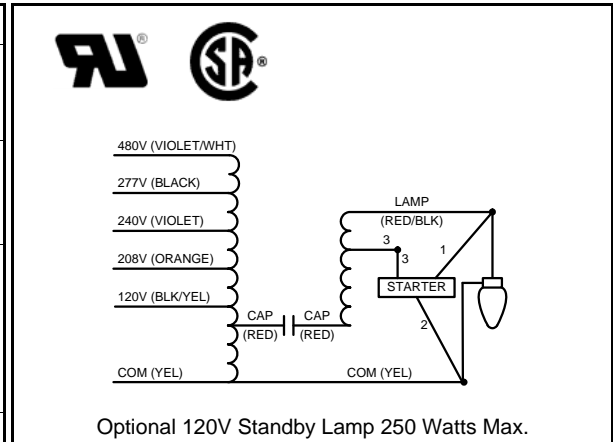


# P250ML5AC4L

250W M153 / M138  
Pulse Start Metal Halide  
60Hz CWA

## Specification Sheet

<b>Input Volts</b>	120	208	240	277	480
<b>Regulation</b>					
Line Volts	±10%	±10%	±10%	±10%	±10%
Lamp Watts	±10%	±10%	±10%	±10%	±10%
Power Factor (min)	90%	90%	90%	90%	90%
Input Watts	283 W	283 W	283 W	283 W	283 W
NOM. Open Circuit Voltage	270 V	270 V	270 V	270 V	270 V
<b>Line Current (Amps)</b>					
Operating	2.50	1.40	1.25	1.05	0.60
Open Circuit	1.30	0.70	0.65	0.50	0.30
Starting	2.00	1.10	1.00	0.85	0.50
Recommended Fuse (Amps)	8	5	5	3	2
Lamp Dropout Voltage (Line)	75 V	130 V	145 V	170 V	290 V
<b>UL Temperature Ratings</b>					
Insulation Class	H (180°C)	H (180°C)	H (180°C)	H (180°C)	H (180°C)
Temperature Code	A	A	A	A	A
MIN. Starting Temperature	-22°F -30°C	-22°F -30°C	-22°F -30°C	-22°F -30°C	-22°F -30°C
<b>CAPACITOR Specifications</b>					
Microfarads	17 uf	17 uf	17 uf	17 uf	17 uf
Volts (min.)	330 V	330 V	330 V	330 V	330 V
<b>60Hz Test Procedures</b>					
High Potential Test 1 Minute	2000 V	2000 V	2000 V	2000 V	2000 V
High Potential Test 1 Second	2500 V	2500 V	2500 V	2500 V	2500 V
Secondary Open Ckt Voltage (V)	245 - 300	245 - 300	245 - 300	245 - 300	245 - 300
Secondary Current Shorted (A)	2.40 - 2.90	2.40 - 2.90	2.40 - 2.90	2.40 - 2.90	2.40 - 2.90
Input Operating Current (A)	2.25 - 2.75	1.25 - 1.55	1.10 - 1.30	0.95 - 1.15	0.55 - 0.65
Input Open Circuit Current (A)	0.65 - 1.80	0.35 - 0.95	0.30 - 0.90	0.25 - 0.70	0.15 - 0.45
Input Short Circuit Current (A)	1.45 - 2.45	0.85 - 1.35	0.75 - 1.25	0.60 - 1.05	0.35 - 0.60
<b>Core and Coil Specifications</b>					
Dimension A	1.85 in	1.85 in	1.85 in	1.85 in	1.85 in
Dimension B	3.75 in	3.75 in	3.75 in	3.75 in	3.75 in
Weight	10.5 lbs	10.5 lbs	10.5 lbs	10.5 lbs	10.5 lbs
Lead Lengths (inches)	12-14	12-14	12-14	12-14	12-14
Coil Material (Pri. / Sec.):	Al / Cu	Al / Cu	Al / Cu	Al / Cu	Al / Cu



Document #:	010-13520-01
Date:	2/20/2017
Status:	Production
Replaces Catalog #:	New Design

Data is based upon tests performed by Universal Lighting Technologies in a controlled environment and is representative of relative performance. Actual performance may vary depending on operating conditions. Specifications are subject to change without notice.