

## Photocontrol - Button Electronic Photocontrol, 120-277 V

Item EK4036S



### PRODUCT DESCRIPTION

NightFox™ electronic photocontrols permanently install on outdoor electrical boxes, in-wall boxes or outdoor lighting fixtures. Ideal for LED fixtures with long-life expectations. Mounts internally to an enclosure with a 3/8" diameter window for light sensing. Comes with 9" wire leads.

### FEATURES

- ▶ Non-drift silicon light sensor with IR filter
- ▶ DC relay with zero-crossing circuitry for extended life
- ▶ Conformal coated PCB
- ▶ 15-year design life
- ▶ Exceeds 10,000 ON/OFF switching cycles
- ▶ Fail ON mode
- ▶ Ideal for single or multi fixture HID and LED installations (up to 1,650 W @ 277 VAC)
- ▶ 255 J MOV surge protection element
- ▶ Mounts internally to enclosure with a 3/8" diameter window for light sensor
- ▶ #18 AWG wire leads

### APPLICATIONS

- ▶ Parking Lot Lighting
- ▶ Landscape Lighting
- ▶ Exterior Lighting
- ▶ Street Lighting
- ▶ Pedestrian Pathway Lighting

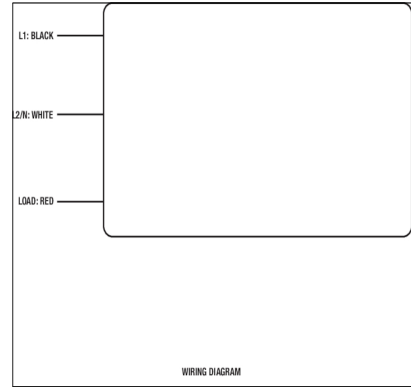
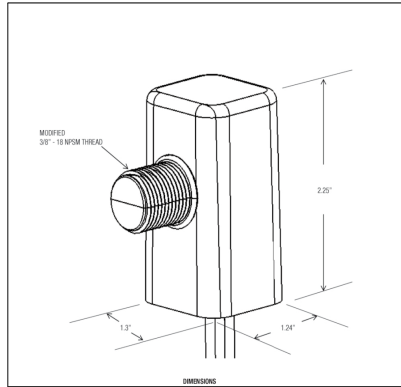
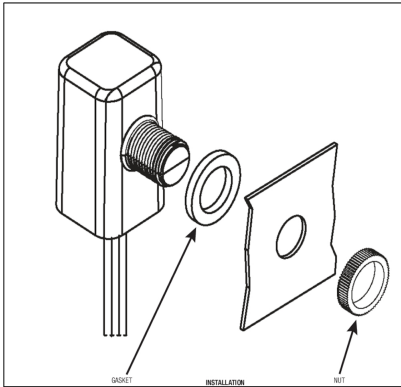
### TECHNICAL DATA

General	
Model Number	EK4036S
Description	Button Electronic Photocontrol, 120-277 V
UPC Code	078275146280
Brand	Intermatic
Country of Origin (Intermatic)	MEXICO
Warranty	8-Year limited
Usage Environments	Outdoor
Photocontrol Type	Electronic
Expected Lifetime (Years)	15
Expected Lifetime (Operations)	10000
Application Compatibilities	LED; Incandescent; HID
Photocontrol Style	Button
Photocontrol Sensor Location	Front

Control Specifications	
Sensor Time Delay	Instant ON; 2 sec to 5 sec OFF
Photocell Type	Silicon Diode
Photo Control Switch Type	Relay
Fail Mode	ON
Activation On	1.5 fc
Activation Off	4.5 fc

Dimensions	
Product Height (in)	2 1/4
Product Height (mm)	57.2
Product Width (in)	1 5/16
Wire Lead Length (in)	9
Wire Size Max	#18 AWG
Material Specifications	
Cover Color	Gray
Housing Material	Polycarbonate
Load Ratings	
Tungsten Range(s)	1000 W
Ballast (Fluorescent)	1800 VA
Ballast (Fluorescent) Range(s)	1800 VA
Electronic Ballast Range(s)	6 A, 120-277 VAC, 50/60 Hz
Electrical Specifications	
Wiring Option	Wire leads
Input Voltage Range(s)	120-277 VAC, 50/60 Hz
Surge Protection	255 J MOV, 5,000 A Surge
Packaging	
Shipping Weight (lbs)	0.196
Unit Carton Height (in)	4.875
Environmental Specifications	
Temperature (operation)	-40°C..70°C
Standards and Certifications	
UL Certification	UL
CSA Certification	CSA
Other Certifications and Compatibilities	CA Title 20; Ansi C136.24
California Proposition 65	DEHP
RoHS Certification	Yes

**DIAGRAMS**



---

## ACCESSORIES



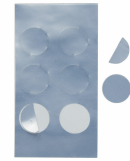
22LG0120  
Light Guard



6LV1352  
Light Shield for Button Photocontrol (K4000 Series, K4321, K4400 Series, EK4036S, EK4336S, EK4436SM)



K43-WP-KIT  
Wall Plate Kit (for Button – K4000 Series, EK4036S)



LGLBL  
Lens Stickers (12 pack)