



XSL Series

SPECIFICATIONS

- Die Cast Aluminium Housing
- Tempered Clear Flat Glass Lens
- Aluminum Reflector
- Polyester Powder Gray Painted Finish
- HID Porcelain Mogul Base Socket
- Built in Cable and Strain Relief Bushing
- Removable Cover for Access to Ballast and Wiring Compartment

APPLICATIONS

- General Area Lighting
- Car Lots, Ball Parks, Sports Arena
- Tennis Courts, Outdoor Stadiums

ELECTRICAL

- Quad Volt; 50Hz; MH 400W, 1000W & 1500W, HPS 400W & 1000W
- 480V; 50Hz; MH 400W, 1000W & 1500W

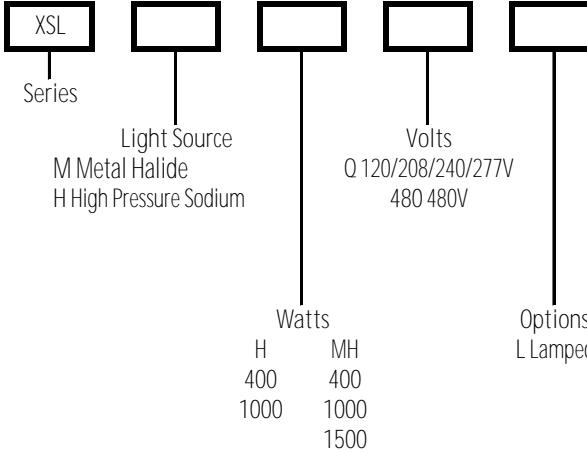
INSTALLATION

- Heavy Gauge Steel Yoke with Aiming Rest Stop

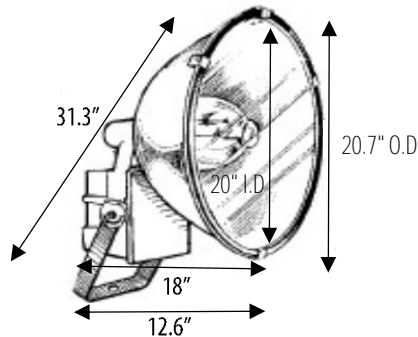
PROJECT _____ TYPE _____

QTY _____ NOTES _____ APPROVAL _____

ORDERING/SPECIFYING INFORMATION: EXAMPLE: XSL M 1000 Q L



SPECIFICATIONS



OPTIONS/ACCESSORIES



Specifications Subject to Change

