

WSP Series

Small Polycarbonate Wall Pack



WSP Series

SPECIFICATIONS

- Die Cast Aluminum Housing
- Injection Molded Polycarbonate Lens
- Bronze Powder Coat Finish, Optional Custom Color
- Internal Aluminum Reflector (Non LED)
- HID Porcelain Medium Base 4KV Socket or CF Plug-In Type, GX24Q (Non LED)
- Stainless Steel Hardware
- Multiple Light Source Options
- 3K, 4K or 5K LED Color Options
- Universal Volt LED Driver with Optional Dimming
- Optional Photocell
- Optional Surge Protection

APPLICATIONS

- General Area, Facade Lighting, Entry Lighting
- Platforms, Walkways, Parking, Tunnels
- Schools and Universities
- Commercial, Warehouse, Industrial Facilities

ELECTRICAL

- 120-277V: LED 23W & CF 26W, 32W & 42W
- 120V: HPS 35W, 50W, 70W, 100W & 150W
- Quad Volt: HPS 50W, 70W, 100W & MH 50W & 70W

INSTALLATION

- Mounts Over Recessed Box or with Surface Conduit

CERTIFICATIONS/LISTINGS

- CSA Listed
- Listed for Wet Locations



PROJECT _____ TYPE _____

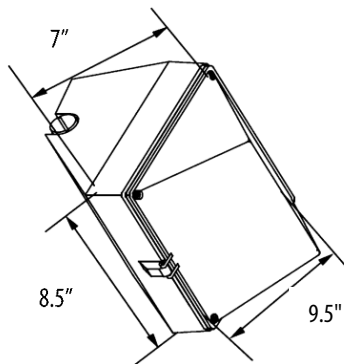
QTY _____ NOTES _____ APPROVAL _____

ORDERING/SPECIFYING INFORMATION:

EXAMPLE: WSP M 70 Q L

WSP					
Series					
	Light Source		LED Color		Options
	M Metal Halide		___ Non LED		L Lamped
	H High Pressure Sodium		30K 3000K LED		PC Photocell
	F Compact Fluorescent		40K 4000K LED		D10 0-10V Dimming (CF/LED)
	L Light Emitting Diodes		50K 5000K LED		SP Surge Protection
					CC Custom Color
		Watts		Volts	
		MH HPS CF LED		120 120V	
		50 35 26 23		UNV 120-277V	
		70 50 32		Q 120/208/240/277V	
		70 42			
		100			
		150			

SPECIFICATIONS



OPTIONS/ACCESSORIES

Specifications Subject to Change

