

WPSP LED Series

LED Small Polycarbonate Wall Pack



WPSP LED Series

SPECIFICATIONS

- Die Cast Aluminum Housing
- Injection Molded Polycarbonate Lens
- Bronze Powder Coat Finish, Optional Custom Color
- CRI LED Aluminum Substrate Board
- Universal Volt LED Driver 120-277V, Optional 480V
- 3K, 4K or 5K LED Color Options
- Stainless Steel Hardware
- Optional Surge Protection
- Optional Dimming
- Optional Photocell

APPLICATIONS

- General Area, Facade Lighting, Entry Lighting
- Platforms, Walkways, Parking, Tunnels
- Schools and Universities
- Commercial, Warehouse, Industrial Facilities

ELECTRICAL

- 120-277V; 50/60Hz
- Optional 480V; 50/60Hz
- 23 Watts; 2,474 Lumens

INSTALLATION

- Mounts Over Recessed Box or with Surface Conduit

CERTIFICATIONS/LISTINGS

- CSA Listed
- IP65
- Listed for Wet Locations

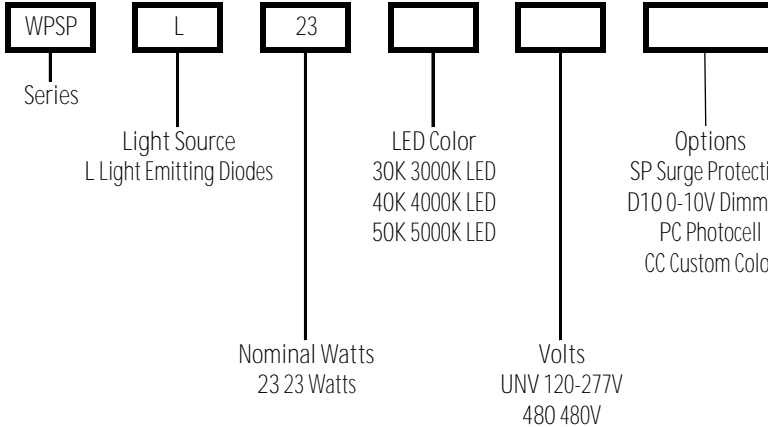


PROJECT _____ TYPE _____

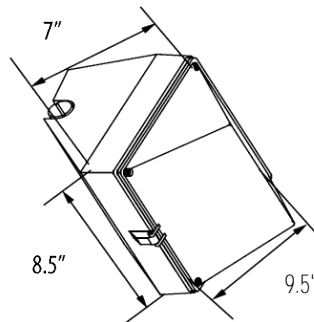
QTY _____ NOTES _____ APPROVAL _____

ORDERING/SPECIFYING INFORMATION:

EXAMPLE: WPSP L 23 40K UNV



SPECIFICATIONS



OPTIONS/ACCESSORIES



Specifications Subject to Change