



VWB LED Series

SPECIFICATIONS

- Heavy Duty Die Cast Aluminum Housing
- Gray Powder Coat Finish, Optional Custom Color
- Clear Glass Globe Lens
- Wall Mount
- CRI LED Aluminum Substrate Board
- Universal Volt LED Driver 120-277V
- 3K, 4K, 5K or TFL Turtle LED Color Options
- Wire Guard Included
- Optional Dimming

APPLICATIONS

- General Area Lighting
- Industrial Plants, Public Transportation,
- Commercial Walkways, Weather Exposed Areas
- Institutional, Vandal Resistant, Loading Docks

ELECTRICAL

- 120-277V; 50/60Hz
- 10 Watts; 803 Lumens

INSTALLATION

- Wall Mount Over Recessed Box or with Surface Conduit

CERTIFICATIONS/LISTINGS

- CSA Listed
- IP66
- Listed for Wet Locations

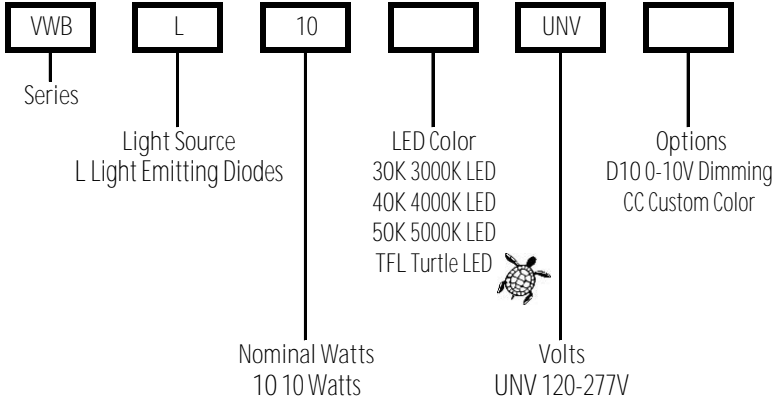


PROJECT _____ TYPE _____

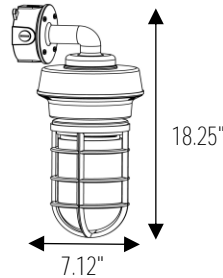
QTY _____ NOTES _____ APPROVAL _____

ORDERING/SPECIFYING INFORMATION:

EXAMPLE: VWB L 10 40K UNV



SPECIFICATIONS



OPTIONS/ACCESSORIES

Specifications Subject to Change

