



VPL LED Series

SPECIFICATIONS

- Gray Polycarbonate Housing with Stainless Steel Door Clips
- Polycarbonate Opal Lens
- CRI LED Light Engine
- 5K LED Color
- Universal Volt LED Driver 120-277V
- Available in 2' and 4' Lengths
- Optional Surge Protection
- Optional Dimming

APPLICATIONS

- General Lighting, Shops, Garages, Stairwells
- Mechanical Rooms, Retail, Industrial
- Canopies, Overhangs and Walkways
- Commercial, Industrial, Institutions

ELECTRICAL

- 120-277V; 50/60Hz
- 2', 21 Watts; 2,000 Lumens
- 4', 42 Watts; 4,014 Lumens

INSTALLATION

- Surface Mount

CERTIFICATIONS/LISTINGS

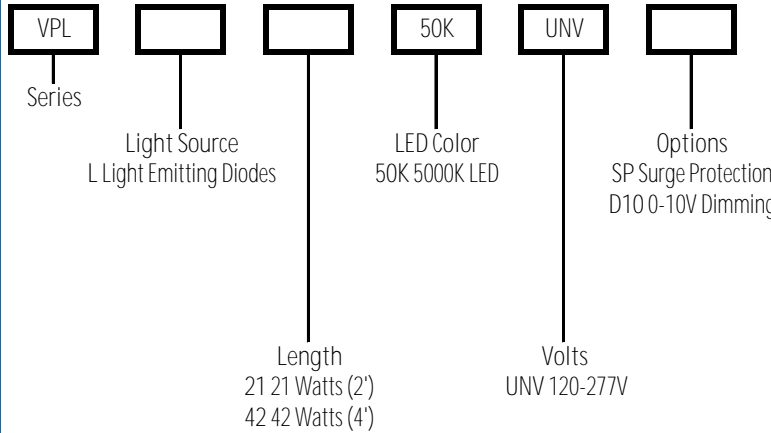
- ETL Listed
- IP65
- Listed for Wet Locations



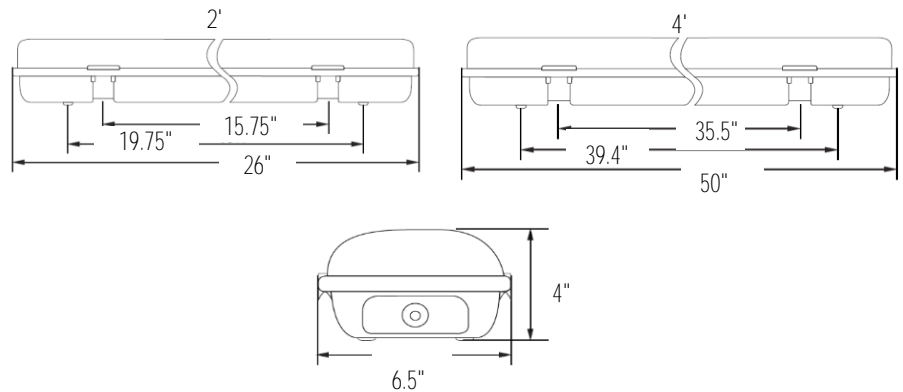
PROJECT _____ TYPE _____
 QTY _____ NOTES _____ APPROVAL _____

ORDERING/SPECIFYING INFORMATION:

EXAMPLE: VPL L 42 50K UNV



SPECIFICATIONS



OPTIONS/ACCESSORIES

Specifications Subject to Change

