



DBL LED Series

SPECIFICATIONS

- Die Cast Aluminum Housing
- Black Powder Coat Finish
- Spun Aluminum Shade
- Optional Clear or Opal Prismatic Lens Seals
- LED Array
- CRI LED Aluminum Substrate Board
- Universal Volt LED Driver 120-277V, Optional 480V
- 3K, 4K, 5K or Amber LED Color Options
- Integral Heat Sinking
- Stainless Steel Hardware
- Optional Surge Protection

APPLICATIONS

- General Area Lighting
- Walkways, Parking, Roadway, Area
- Schools, Commercial Buildings, Communities
- Residential Roadways, Campuses, Office Buildings

ELECTRICAL

- 120-277V; 50/60Hz
- Optional 480V; 50/60Hz
- 84 Watts; 8,965 Lumens

INSTALLATION

- Mounts on Pole or Tenon, Single Arm, Double Arm
- Wall Mount or Pendant Mount
- Pole Mount Arms Mounts to 3" Tenon or Pole

CERTIFICATIONS/LISTINGS

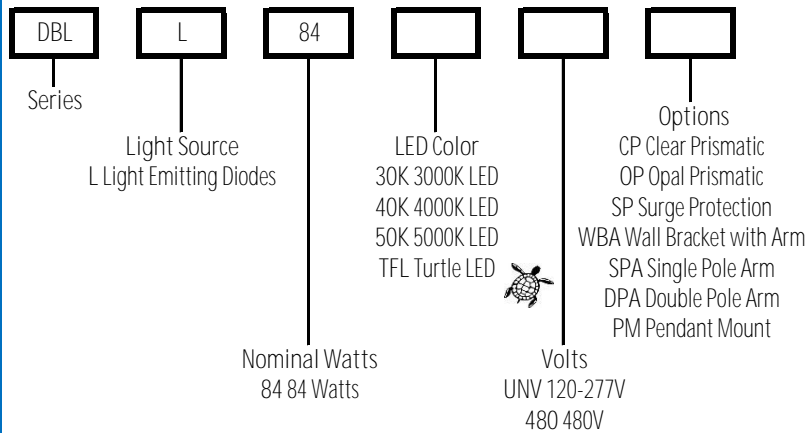
- CSA Listed
- IP66
- Listed for Wet Locations



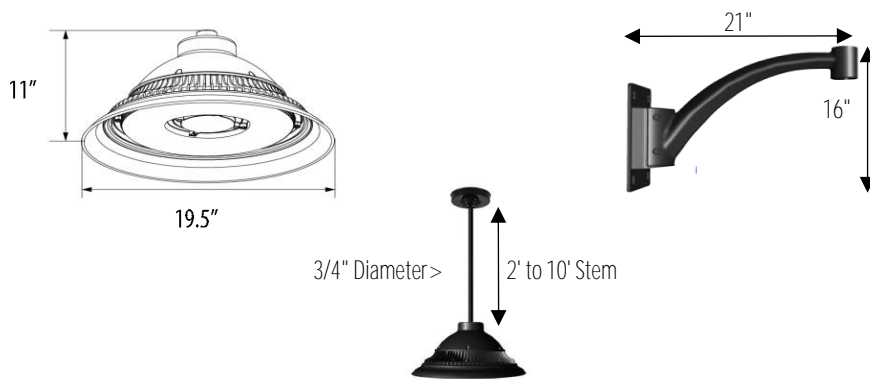
PROJECT _____ TYPE _____
 QTY _____ NOTES _____ APPROVAL _____

ORDERING/SPECIFYING INFORMATION:

EXAMPLE: DBL L 84 40K UNV



SPECIFICATIONS



OPTIONS/ACCESSORIES



Specifications Subject to Change

