

DBL Amber LED Series

Decorative Bell Large Area Light Amber



DBL Amber LED Series

SPECIFICATIONS

- Die Cast Aluminum Housing
- Black Powder Coat Finish
- Spun Aluminum Shade
- Clear Prismatic Lens Seals LED Array
- CRI LED Aluminum Substrate Board
- Universal Volt LED Driver 120-277V, Optional 480V
- Monochromatic Amber LED Light
- Turtle Friendly, LED's Operates Between 585 Nanometers and 595 Nanometers
- Integral Heat Sinking
- Stainless Steel Hardware
- Optional Surge Protection

APPLICATIONS

- General Area Lighting
- Walkways, Parking, Roadway, Area
- Schools, Commercial Buildings, Communities
- Residential Roadways, Campuses, Office Buildings

ELECTRICAL

- 120-277V; 50/60Hz
- Optional 480V; 50/60Hz
- 78 Watts; 2,375 Lumens

INSTALLATION

- Mounts on Pole or Tenon, Single Arm, Double Arm Wall Mount or Pendant Mount
- Pole Mount Arms Mounts to 3" Tenon or Pole

CERTIFICATIONS/LISTINGS

- CSA Listed
- IP66
- Listed for Wet Locations



PROJECT _____ TYPE _____
 QTY _____ NOTES _____ APPROVAL _____

ORDERING/SPECIFYING INFORMATION:



Series

Light Source
L Light Emitting Diodes

Nominal Watts
84 84 Watts

LED Color
TFL Turtle LED

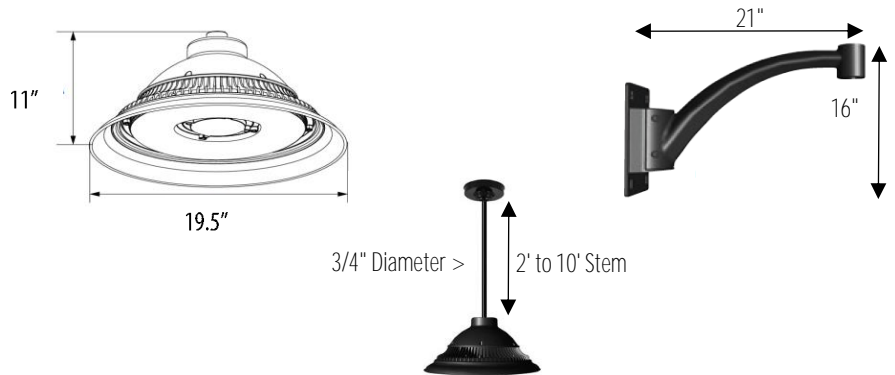


Volts
UNV 120-277V
480 480V

Options
SP Surge Protection
WBA Wall Bracket with Arm
SPA Single Pole Arm
DPA Double Pole Arm
PM Pendant Mount

EXAMPLE: DBL L 78 TFL UNV

SPECIFICATIONS



OPTIONS/ACCESSORIES



WBA Wall Bracket with Arm



SPA Single Pole Arm



PM Pendant Mount



DPA Dual Pole Arm



Specifications Subject to Change