

# BSL Series

# Square Top Bollard with Louvers



BSL Series

### SPECIFICATIONS

- Extruded Aluminum Housing
- Die Cast Aluminum Base and Top
- Cast Aluminum Louvers
- Clear Polycarbonate Lens
- Bronze, White or Black Powder Coat Finish, Optional Custom Color
- HID Porcelain Medium Base 4KV Socket or CF Plug-In Type, GX24Q (Non LED)
- Stainless Steel Hardware
- Multiple Light Source Options
- Various Wattages Available
- 3K, 4K, 5K or Turtle LED Color Options
- Optional House Side Shield
- Optional Surge Protection

### APPLICATIONS

- General Area/Pathway Lighting
- Entries, Walkways, Pathways, Area
- Schools, Hospitals, Offices, Commercial Buildings
- Ingress/Egress, Campuses

### ELECTRICAL

- 120-277V 50/60Hz: LED 15W & CF 42W & 57W
- Quad: MH & HPS 50W, 70W & 100W
- 480V: MH & HPS 70W & 100W & LED 15W
- 120V: HPS 35W, 50W, 70W & 100W

### INSTALLATION

- Bolt to Concrete Base or Use Direct Bury Option

### CERTIFICATIONS/LISTINGS

- CSA Listed
- Listed for Wet Locations

**ALL-SITE  
LIGHTING**

PROJECT \_\_\_\_\_ TYPE \_\_\_\_\_

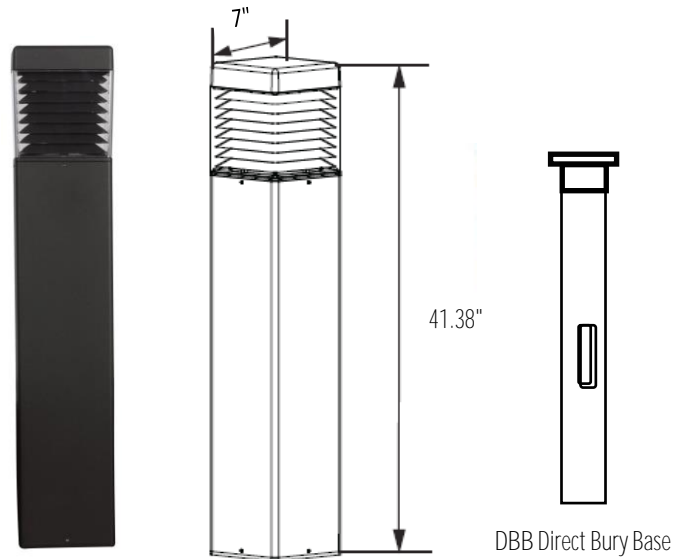
QTY \_\_\_\_\_ NOTES \_\_\_\_\_ APPROVAL \_\_\_\_\_

ORDERING/SPECIFYING INFORMATION:

EXAMPLE: BSL M 100 Q BZ L

BSL	[ ]	[ ]	[ ]	[ ]	[ ]	[ ]
Series	Light Source M Metal Halide H High Pressure Sodium F Compact Fluorescent L Light Emitting Diodes	LED Color ___ Non LED 30K 3000K LED 40K 4000K LED 50K 5000K LED TFL Turtle LED	Watts MH HPS CF LED 50 35 42 15 70 50 57 100 70 100	Volts UNV 120-277V Q 120/208/240/277V 480 480V 120 120V	Color BZ Bronze WH White BK Black CC Custom Color	Options No Lamp L Lamped HSS House Side Shield DBB Direct Bury Base AB Anchor Bolts " Custom Height 18" -36" SP Surge Protection

### SPECIFICATIONS



### OPTIONS/ACCESSORIES



AB Anchor Bolts



HSS House Side Shield

**AMERICA  
LIGHT**

Specifications Subject to Change