

# BSG LED Series

# LED Square Top Bollard with Glass Refractor



BSG LED Series

### SPECIFICATIONS

- Extruded Aluminum Housing
- Die Cast Aluminum Base and Top
- Prismatic Borosilicate Glass Refractor
- Clear Polycarbonate Lens
- Bronze, White or Black Powder Coat Finish, Optional Custom Color
- CRI LED Aluminum Substrate Board
- Universal Volt LED Driver 120-277V, Optional 480V
- 3K, 4K, 5K or Turtle LED Color Options
- Optional House Side Shield
- Optional Surge Protection
- Optional Dimming
- Optional Emergency Battery Pack
- Optional Type III Glass Refractor
- 50,000 Hour Life with 3 Year LED Warranty

### APPLICATIONS

- General Area/Pathway Lighting
- Entries, Walkways, Pathways, Area
- Schools, Hospitals, Office, Commercial Buildings
- Ingress/Egress, Campuses

### ELECTRICAL

- 120-277V; 50/60Hz
- Optional 480V; 50/60Hz
- 15 Watts; 1,125 Lumens

### INSTALLATION

- Bolt to Concrete Base or Use Direct Bury Base Option

### CERTIFICATIONS/LISTINGS

- CSA Listed
- IP65
- Listed for Wet Locations

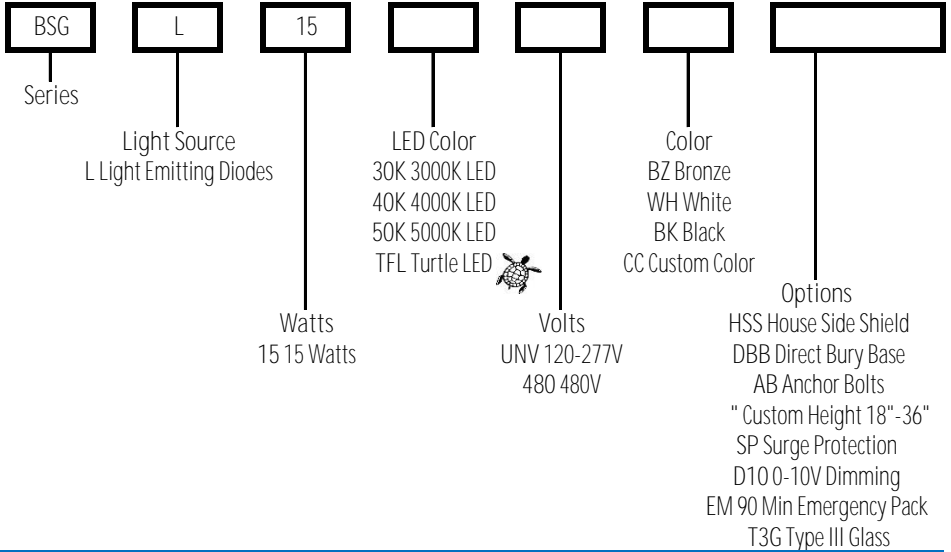


PROJECT \_\_\_\_\_ TYPE \_\_\_\_\_

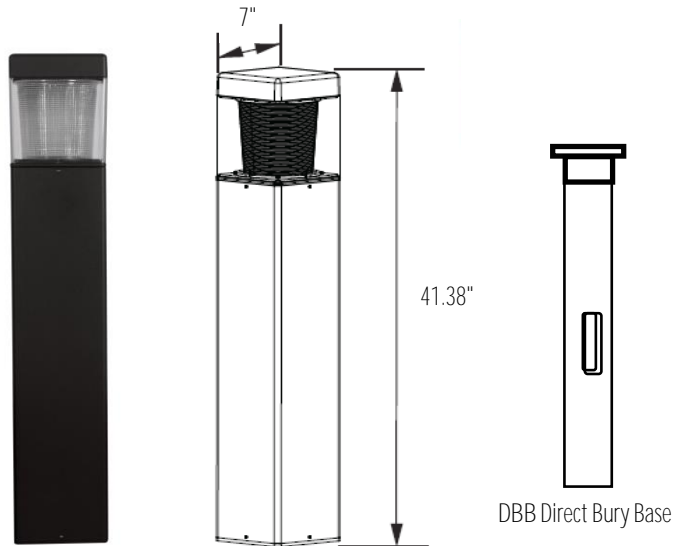
QTY \_\_\_\_\_ NOTES \_\_\_\_\_ APPROVAL \_\_\_\_\_

ORDERING/SPECIFYING INFORMATION:

EXAMPLE: BSG L15 50K UNV BZ



### SPECIFICATIONS



### OPTIONS/ACCESSORIES



Specifications Subject to Change