

LI Series

Lay-In Troffer



LI Series

SPECIFICATIONS

- Housing Formed of Cold Rolled Steel
- Highly Reflective White Enamel Finish
- Clear Acrylic Prismatic Lens
- T12, T8 or T5 Lamp Fluorescent Types Available
- LED T8 (BC) Ballast Capitable or (BP) By-Pass
- Minimum 87% Reflectivity
- 1'x 4' 2'x 2' or 2'x 4' Configurations
- Units Equipped with Knockouts and Holes for Pendant Mounting
- Optional Whip, Lamped, Fuse or Battery Backup

APPLICATIONS

- General Area Lighting
- Schools, General Commerical, Retail, Hospitals
- Offices, Conference Rooms, Storage Areas

ELECTRICAL

- 120-277V; 50/60Hz

INSTALLATION

- Recessed Mount in Ceiling Grid, Plaster (FM) or Surface Mount

CERTIFICATIONS/LISTINGS

- UL Listed

MEMPHIS
LIGHTING

PROJECT _____ TYPE _____

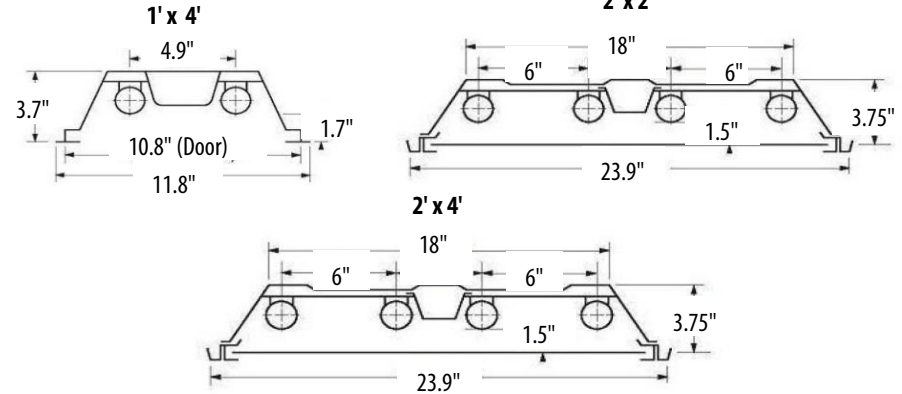
QTY _____ NOTES _____ APPROVAL _____

ORDERING/SPECIFYING INFORMATION:

EXAMPLE: LI 24 3 F32T8 UNV L841

LI					
Series	Configuration	Lamp Type		Volts	Options
	14 1x4 22 2x2 24 2x4	24" F14T5 F17T8 L24BC L24BP F24T5HO FT40T5 FB40T12 FB32T8	48" F28T5 F32T8 L48BC L48BP F40T12 F54T5HO	UNV 120-277V	W Whip L __ Lamp (Color) F Fuse EM 90 Min Battery FM Flanged Mount SM Surface Mount AR Aluminum Reflector
		# of Lamps			
		2 2 Lamps 3 3 Lamps 4 4 Lamps			

SPECIFICATIONS



OPTIONS/ACCESSORIES

Specifications Subject to Change

