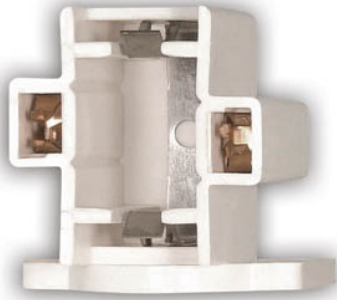


CF 13

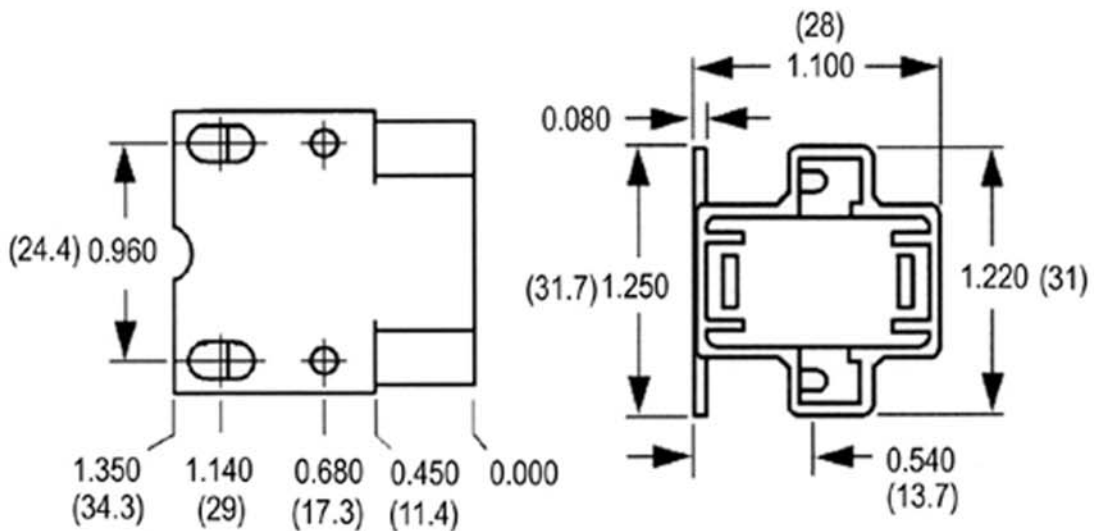
2-Pin Horizontal

GX23 2 Pin Base

USA SOCKET



Fits lamp base(s): GX23, GX23-2
Ratings: 75w - 600v
Material: Polycarbonate
Certifications: UL, CSA listed
Mounting Style: Two hole mount
Wiring Method: Quick Connects
Overall Height: 1.10



Item # : 50412

Order Code : SKCF2P / 13H

AMERICA
 **LIGHT**

1489 W 13th St Riviera Beach, FL 33404

Sales@AmericaLight.com Ph (561) 296-0364 Fax (561) 296-0370