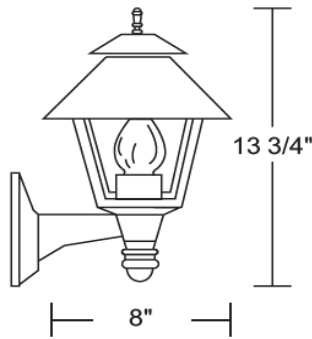


MEMPHIS LIGHTING

ORDER CODE _____ QTY _____
PROJECT _____ TYPE _____
NOTES _____ APPROVAL _____

Wall AL10 WAL10 Series



Ordering Information (Example: WAL10-I-A-W)

Series WAL10
Light Source I-Incandescent
Lens A-Acrylic
Color WH-White or BK-Black

Specifications

Non-Corrosion Polycarbonate
1 Light Medium Base E26
Up to 60W

Electrical

120V

Installation

Wall Mount

Certifications/Listings

UL Listed for Wet Locations

Dimensions

Height 13.75"
Depth 8"
Extends 9.75"
Back Plate 5.5" x 5"

