

FSM Series

Medium Square Flood



FSM Series

SPECIFICATIONS

- Die Cast Aluminum Housing
- Tempered Clear Flat Glass Lens
- Wide Reflector
- Uniformed Poured Silicone Gasket
- Bronze Powder Coat Finish, Optional Custom Color
- HID Porcelain Medium Base 4KV Socket
- Stainless Steel Hardware
- Multiple Light Source Options
- Optional Surge Protection
- Optional Wire Guard, Glare Shield or Vandal Guard

APPLICATIONS

- General Area/Flood Lighting
- Walkways, Parking, Roadway, Area
- Schools, Commercial Buildings, Communities
- Street Lighting, Car Lots, Campuses

ELECTRICAL

- 120V: HPS 35W, 50W, 70W, 100W & 150W
- Quad Volt: HPS & MH 50W, 70W, 100W & 150W

INSTALLATION

- Mounts with 6" Mounting Arm (Round or Square) for Direct Pole Mount, Adjustable Slip Fitter, or with U-Bracket

CERTIFICATIONS/LISTINGS

- CSA Listed
- Listed for Wet Locations

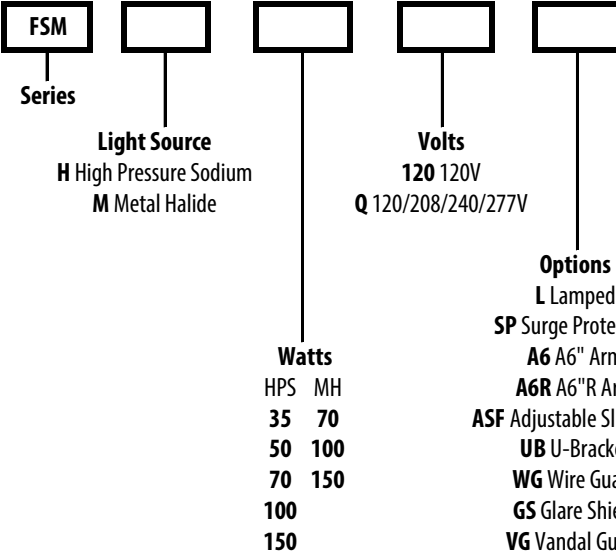
**ALL-SITE
LIGHTING**

PROJECT _____ TYPE _____

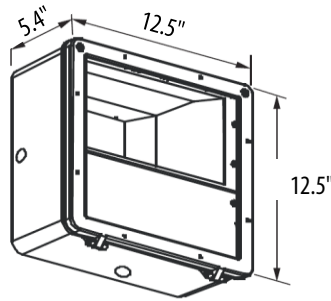
QTY _____ NOTES _____ APPROVAL _____

ORDERING/SPECIFYING INFORMATION:

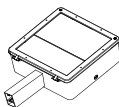
EXAMPLE: FSM M 100 Q L



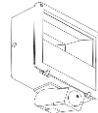
SPECIFICATIONS



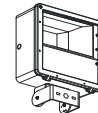
OPTIONS/ACCESSORIES



A6 (R) 6" Arm



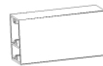
ASF Adjustable Slip Fitter



UB U-Bracket



WG Wire Guard



GS Glare Shield



VG Vandal Guard



**AMERICA
LIGHT**

Specifications Subject to Change