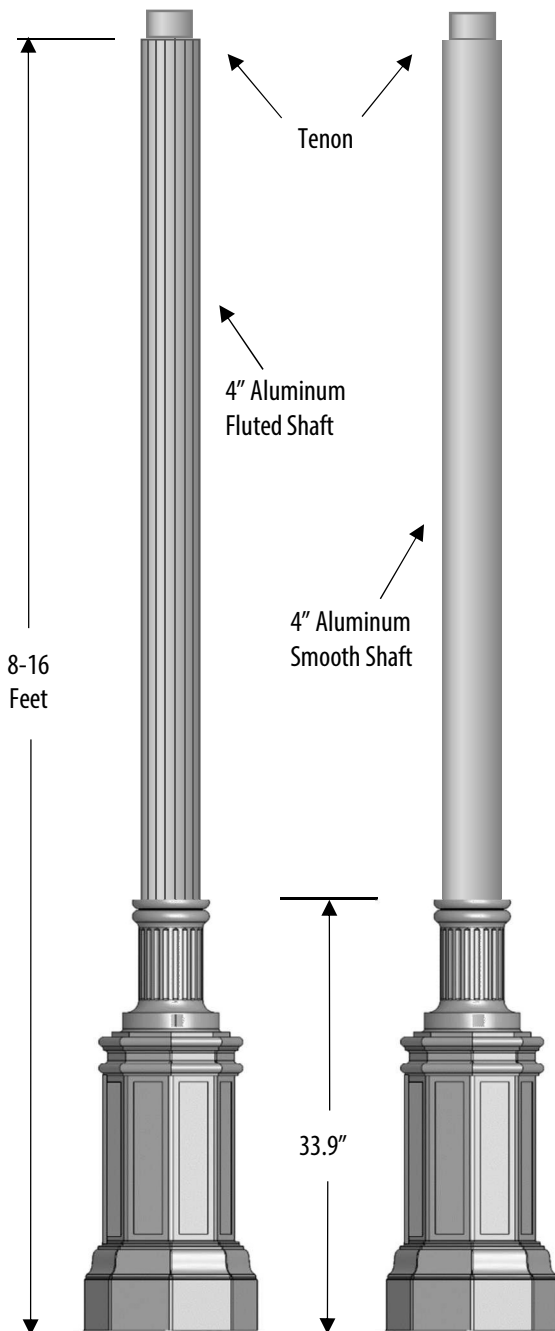


# FP Series

# Flagler Series Decorative Pole

## Ordering/Specifying Information



<input type="text"/>	<input type="text"/>	<input type="text"/>	<input type="text"/>	<input type="text"/>
<b>Series</b>	<b>Height</b>	<b>Color</b>	<b>Mounting</b>	<b>Duty</b>
FP4 4" Straight FP4F 4" Fluted	____ Feet	BK Black BZ Bronze WH White CC Custom Color	T3 3" OD Tenon T2 2.38" OD Tenon SM Side Mount with Cap	ND Normal (.125) HD Heavy (.188)
				<b>Options</b>
				AB Anchor Bolts

### Features/Specifications

- Classic Historical Look
- Ideal for Commercial Post Top Fixtures
- Structural Decorative Aluminum Cast Base with Access Door
- Circumferently Welded Aluminum Tube with Welded Tenon
- Powder Coat Finish - Choice of Colors
- Used for Roads, Towns, Bridges, Communities and Campuses
- Mounts to a Concrete Base with Embedded L Anchor Bolts

### NOTES

- 1) Custom Drills Provided for Side Mount Option
- 2) Octagon Base is 12.75" Wide
- 3) Secure Pole with 4- 5/8" x 18" L Bolts in Concrete Base
- 4) Use 3/4" x 24" Bolts for 14-16 Foot Mounting Heights

Concrete Base with Embedded L Bolts  
(Sold Separately) Use CBR-24 Series or Field Cast

<b>PROJECT</b>		<b>SOUTHEAST POLES</b>		
<b>TYPE</b>	<b>QTY</b>			
<b>NOTES</b>		<b>TITLE</b> Flagler Series Decorative Pole		
<b>APPROVAL</b>		<b>DRAWING/FILE</b> SE Pole and Bracket Catalog.xlsx		
		<b>DATE</b> 4/26/2018	<b>SCALE</b> N.T.S.	<b>SHEET</b> 1 OF 1



Specifications Subject to Change